

No.	Drawing Name	No.	Drawing Name
001	Structural Walls	020	Decorative Library Details for Consultant room
002	Demolish Plan	021	Libraries Details
003	Additional walls	022	Closets Details
004	Dimension Plan	023	Flower Stands Details
005	Furnish Plan	024	Modular Desk for Training Room 2
006	Ceiling Plan	025	Modular Desk for Training Room 1
007	Ceiling Plan Dimension	026	Kitchen Desk
008	Descriptive plan	027	Youth Source Desk
009	Lighting Plan	028	Bathroom Details
010	Section A-A	029	Columns Wood Details
011	Section B-B	030	Glass Partition and Glass Doors
012	Kitchen	031	Floor Plan details
013	Ceiling Details Training Room 1 -A	032	Game wall details
014	Ceiling Details Training Room 1 -B	033	Chairs
015	Ceiling Details Youth Source	034	Waiting Corner
016	Ceiling Entrance details	035	Desks
017	Entertainment Corner	036	Doors
018	Decorative wall Details	037	Electrical Drawings
019	Descriptive Library Details for youth source room	038	Electrical materials

Notes:



**SOS CHILDREN'S
VILLAGES
GEORGIA**

CLIENT:

SOS CHILDREN VILLAGE
GEORGIA

ARCHITECT:

VAHID FARHANI
57534771 VAHIDFARHANI@GMAIL.COM

SITE:

KAZBEGI

TITLE:

INDEX

SCALE AT A3: DATE: DRAWN: CHECKED:

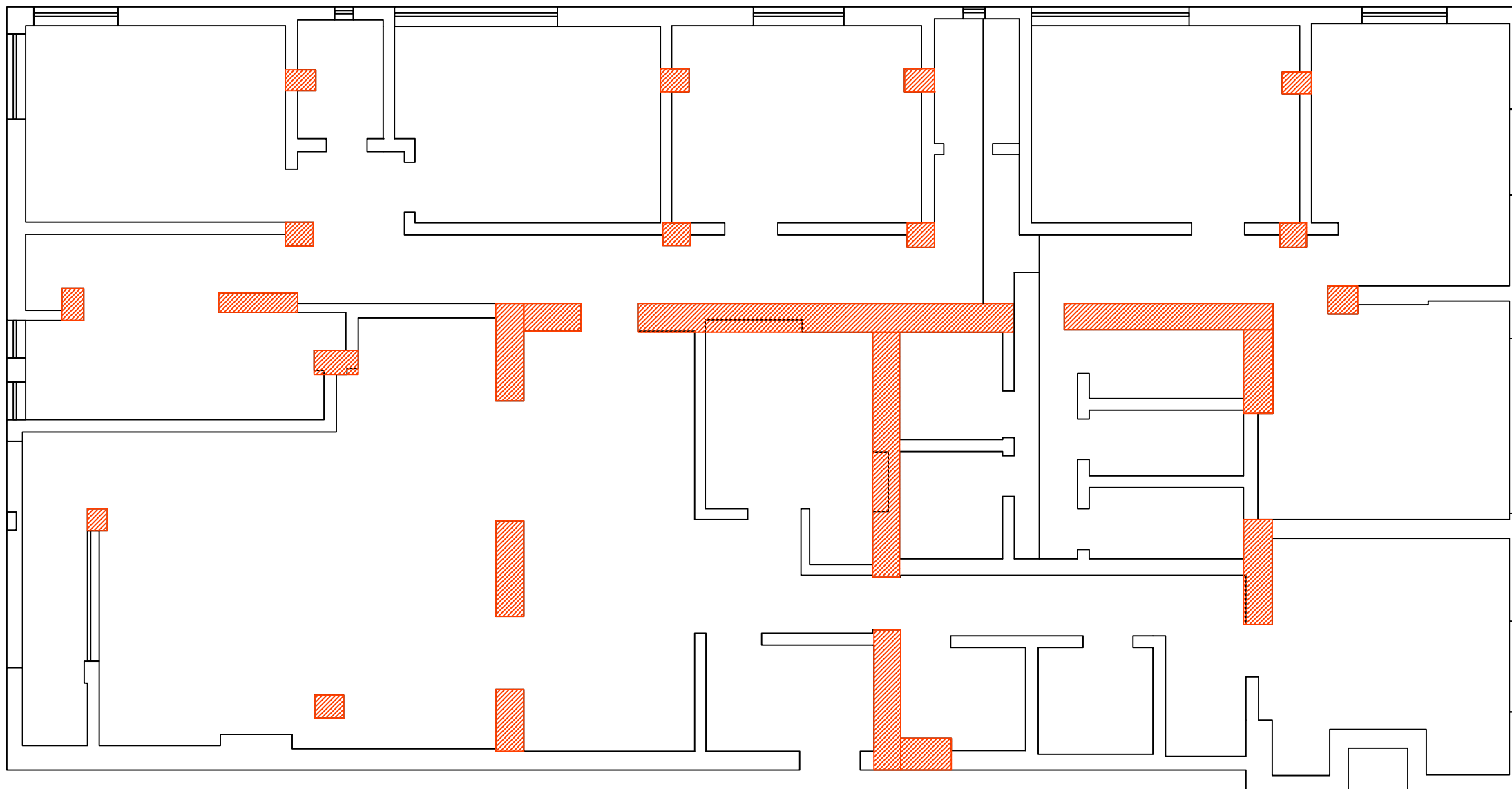
scale 12/07/2020 VAHID

PROJECT NO: DRAWING NO: REVISION:

110 000 01

Notes:

Hatched walls and columns are fixed but we can demolish other partitions to expand our spaces.



Structural Walls /Columns drawing



**SOS CHILDREN'S
VILLAGES
GEORGIA**

CLIENT:

SOS CHILDREN VILLAGE
GEORGIA

ARCHITECT:

VAHID FARHANI

575734771 VAHIDFARHANI@GMAIL.COM

SITE:

KAZBEGI

TITLE:

STRUCTURAL WALLS

SCALE AT A3: DATE: DRAWN: CHECKED:

scale

06/07/2020

VAHID

CHECKED:

PROJECT NO:

110

DRAWING NO:

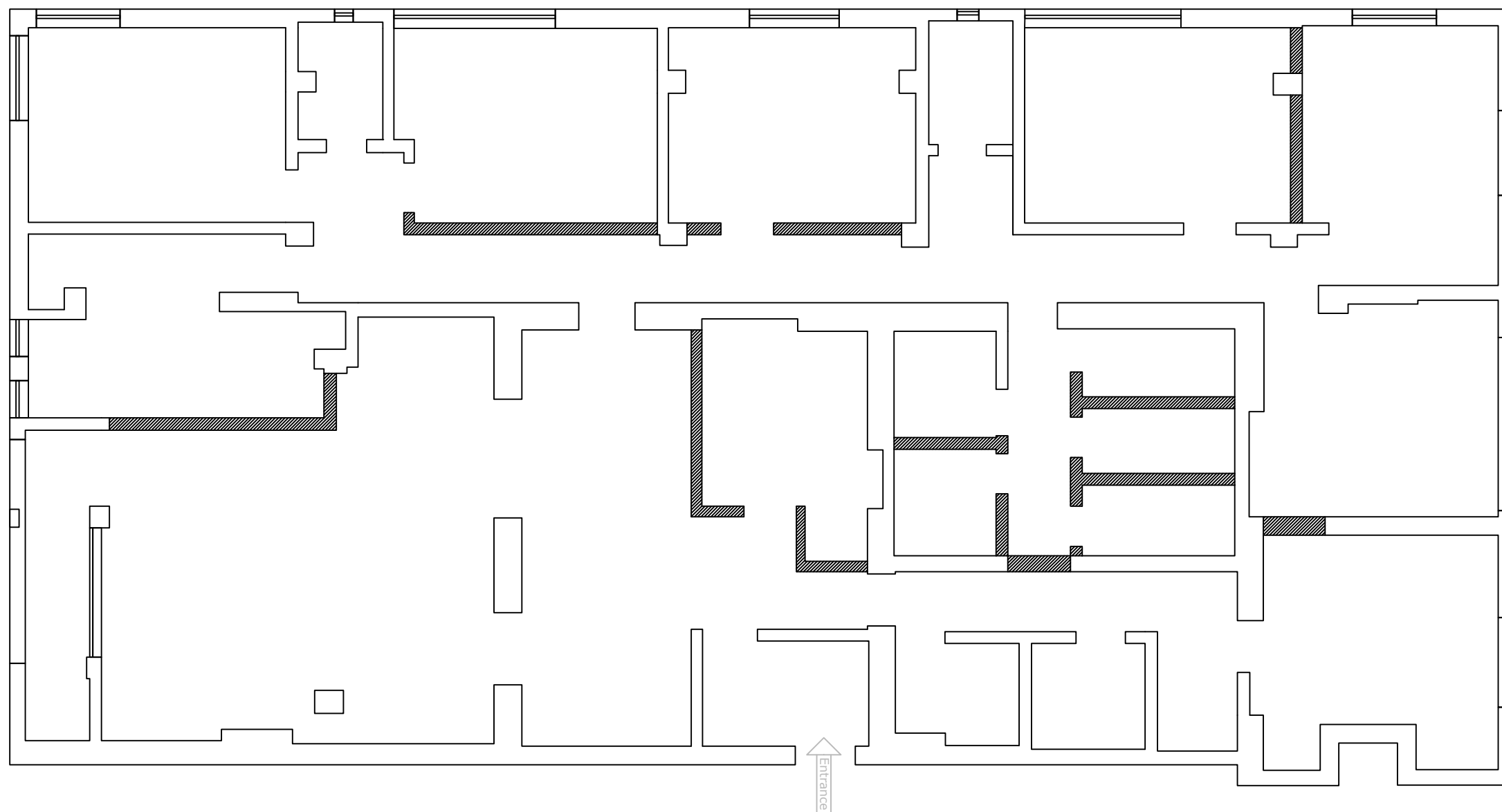
001

REVISION:

01

Notes:

Hatched walls will
Demolish. by
considerations of
structural safeties.



Demolished Plan



**SOS CHILDREN'S
VILLAGES
GEORGIA**

CLIENT:

SOS CHILDREN VILLAGE
GEORGIA

ARCHITECT:

VAHID FARHANI

57534771 VAHIDFARHANI@GMAIL.COM

SITE:

KAZBEGI

TITLE:

DEMOLISH PLAN

SCALE AT A3:

scale

DATE:

24/06/2020

DRAWN:

VAHID

CHECKED:

PROJECT NO:

110

DRAWING NO:

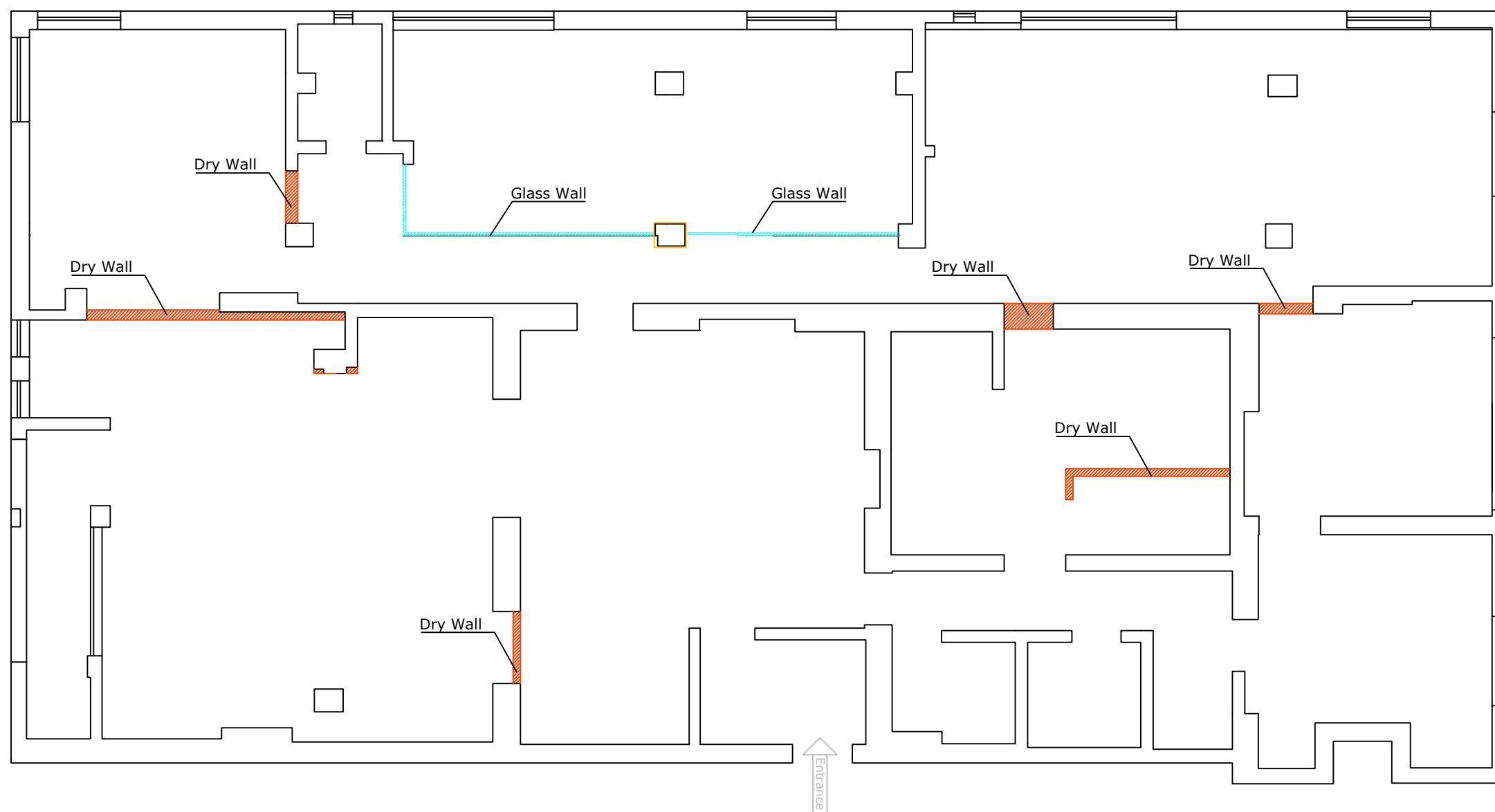
002

REVISION:

01

Notes:

Hatched walls will add to building. by considerations of structural safeties.



Additional Walls Plan



**SOS CHILDREN'S
VILLAGES
GEORGIA**

CLIENT:

SOS CHILDREN VILLAGE
GEORGIA

ARCHITECT:

VAHID FARHANI

57534771 VAHIDFARHANI@GMAIL.COM

SITE:

KAZBEGI

TITLE:

ADDITIONAL WALLS

SCALE AT A3: DATE: DRAWN: CHECKED:

scale

24/06/2020

VAHID

CHECKED:

PROJECT NO:

110

DRAWING NO:

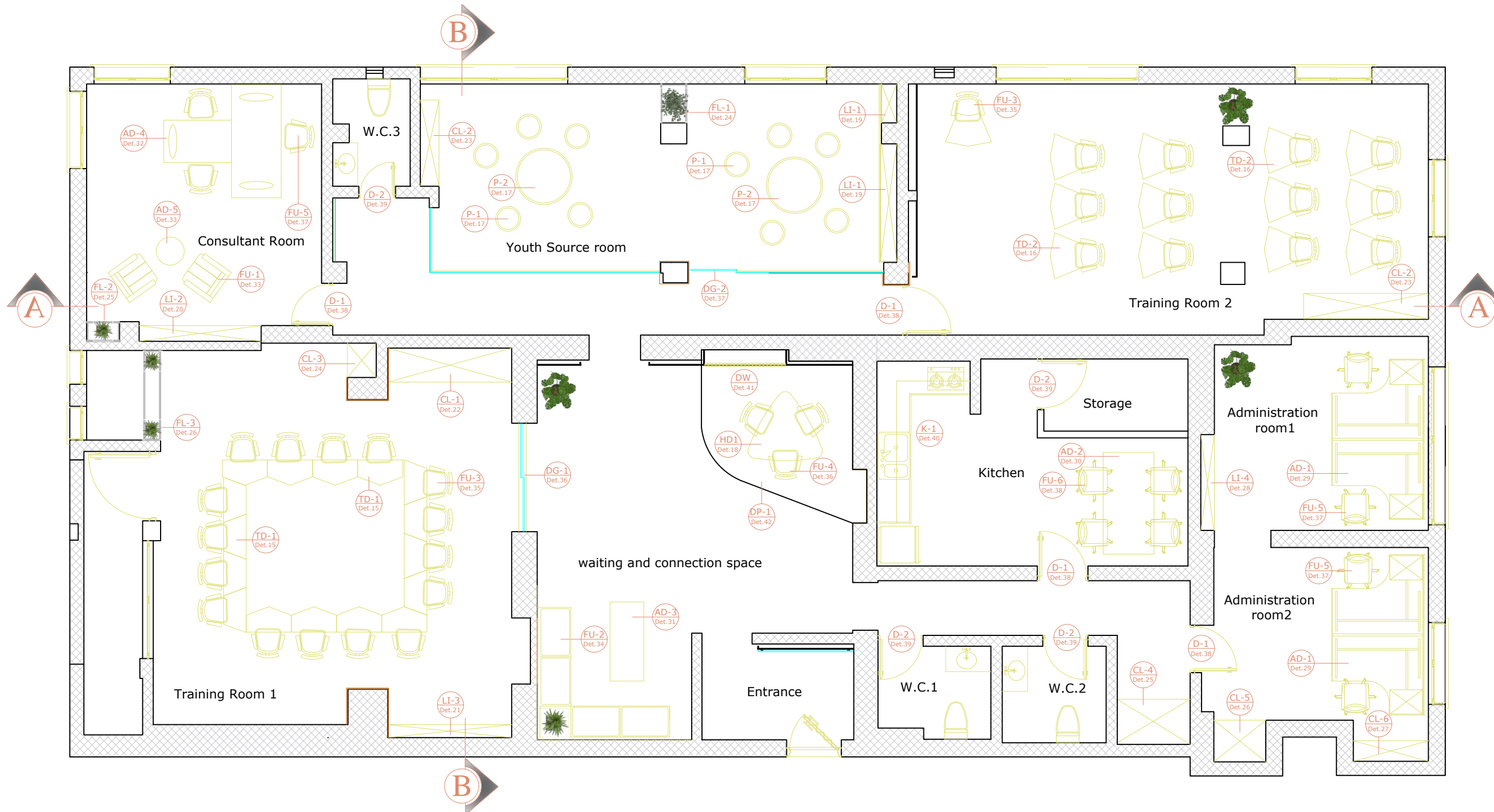
003

REVISION:

01

Notes:

The specified items are provided in the detail drawings part.



Furnish Plan



CLIENT:
SOS CHILDREN VILLAGE
GEORGIA





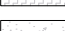

ARCHITECT:
VAHID FARHANI
575734771 VAHIDFARHANI@GMAIL.COM

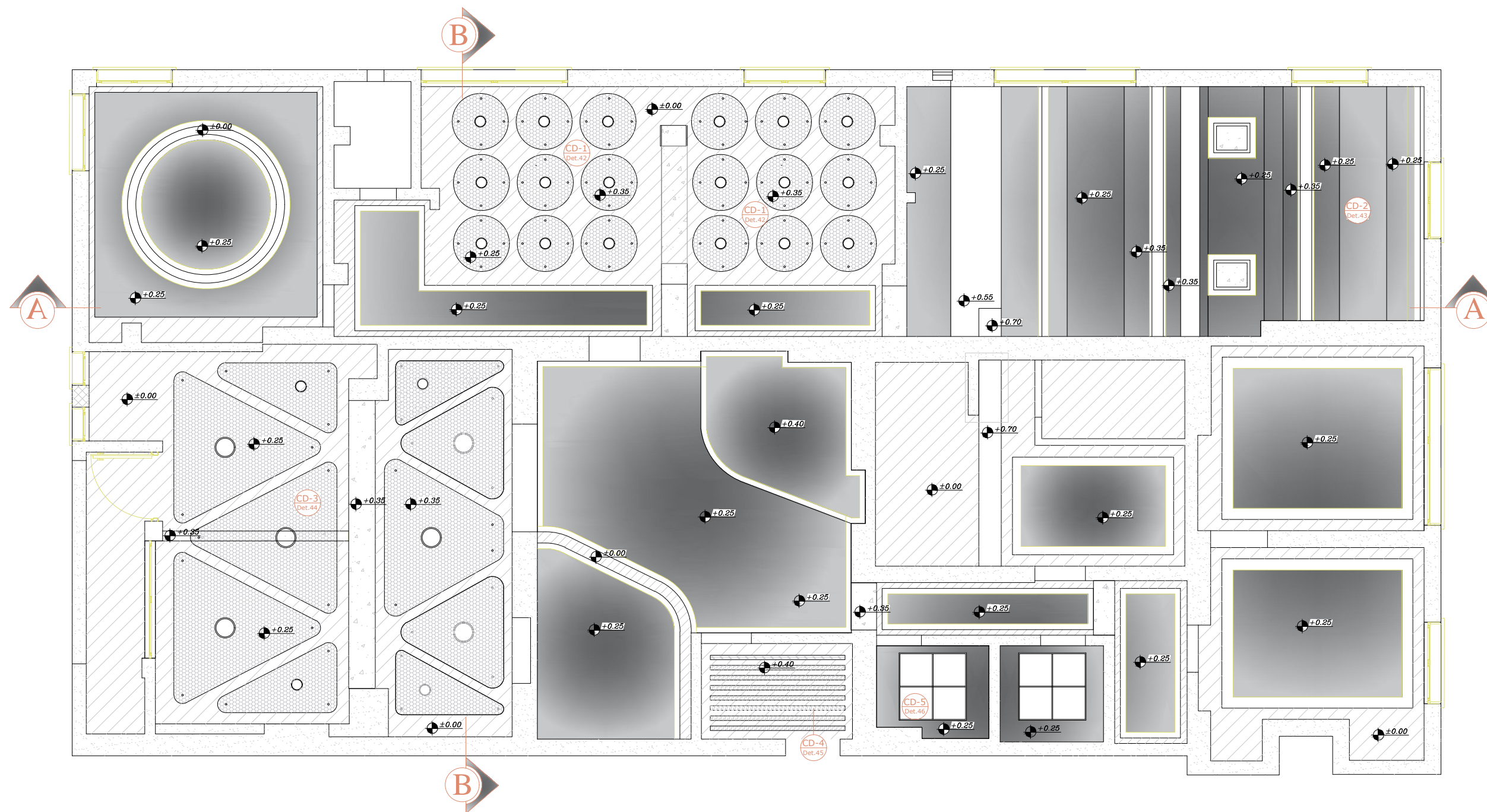
SITE:
KAZBEGI

TITLE:
FURNISH PLAN

SCALE AT A3: scale	DATE: 12/07/2020	DRAWN: VAHID	CHECKED:
PROJECT NO: 110	DRAWING NO: 005	REVISION:	01

Notes:

-  Main Ceiling
-  Decorative Knauf Ceiling
-  Decorative Colored steel Ceiling
-  Wood
-  Beam
-  Wall



Ceiling Plan



CLIENT:
SOS CHILDREN VILLAGE
GEORGIA

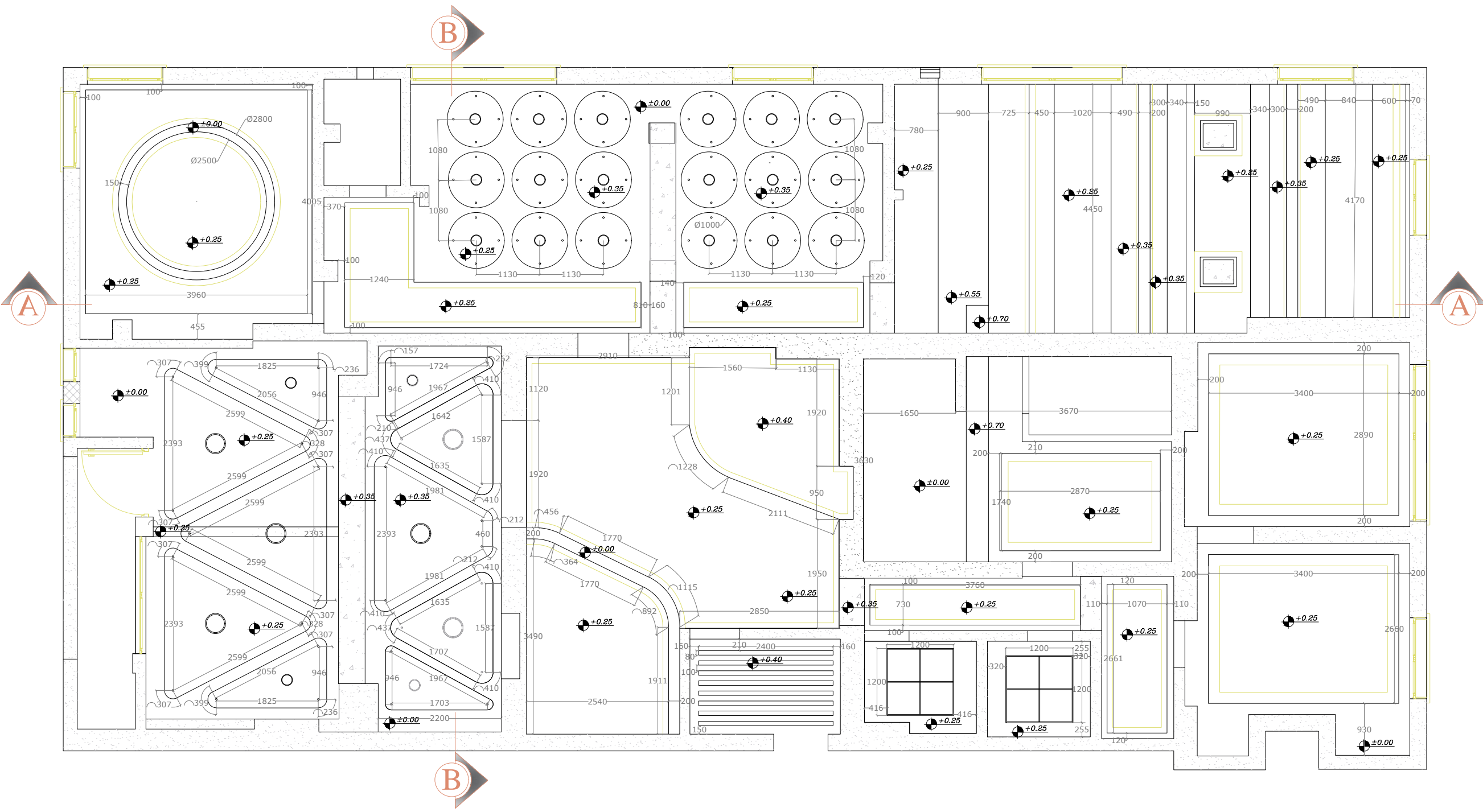
ARCHITECT:
VAHID FARHANI
57534771 VAHIDFARHAN@GMAIL.COM

SITE:
KAZBEGI

TITLE:
CEILING PLAN

SCALE AT A3: scale	DATE: 12/07/2020	DRAWN: VAHID	CHECKED:
PROJECT NO: 110	DRAWING NO: 006	REVISION:	01

Notes:



Ceiling Plan Dimension



CLIENT:
SOS CHILDREN VILLAGE
GEORGIA

ARCHITECT:
VAHID FARHANI
575734771 VAHIDFARHANI@GMAIL.COM

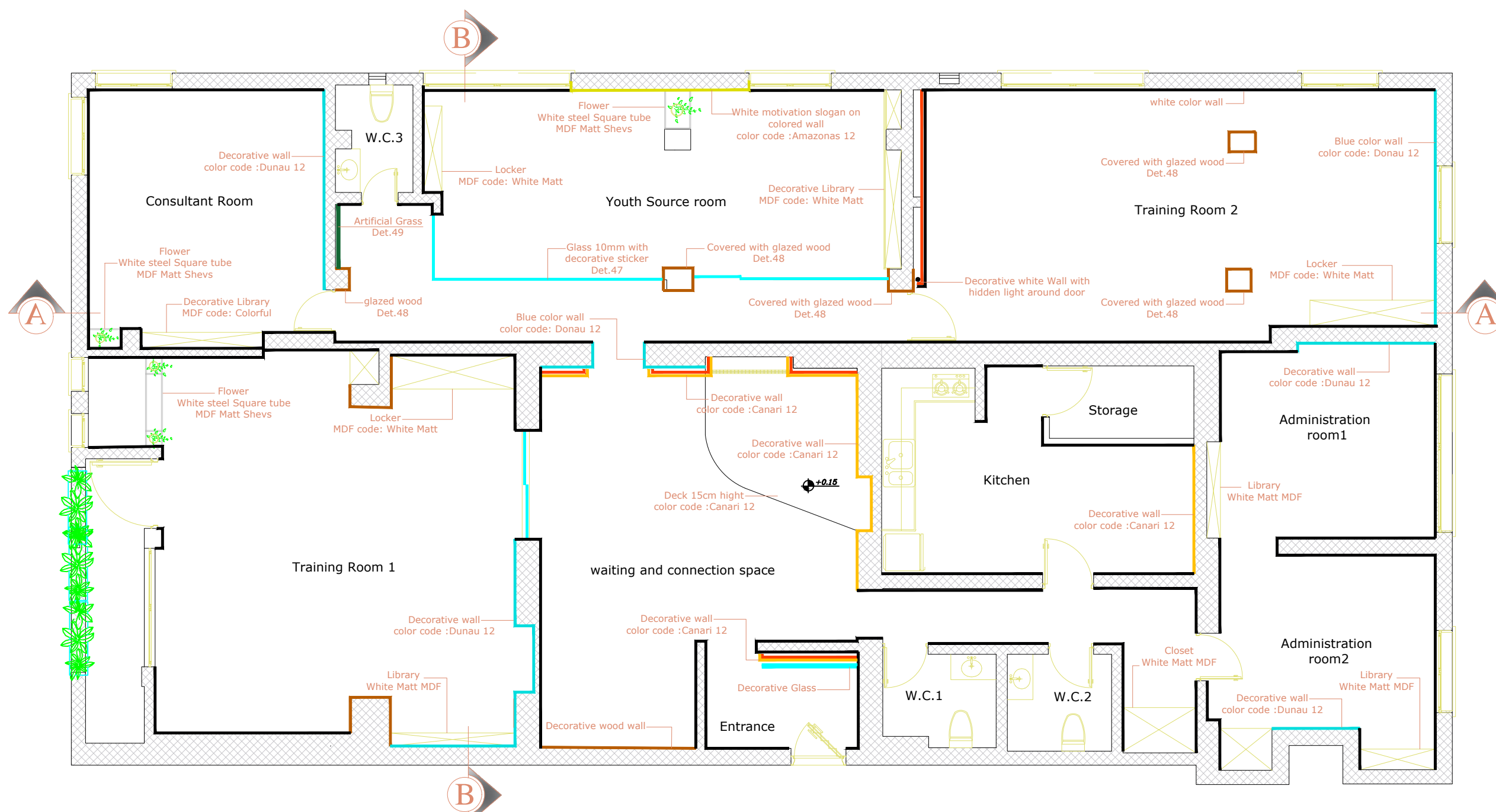
SITE:
KAZBEGI

TITLE:
CEILING DIMENSION PLAN

SCALE AT A3: scale	DATE: 12/07/2020	DRAWN: VAHID	CHECKED:
PROJECT NO: 110	DRAWING NO: 007	REVISION:	01

Notes:

- Donau 12
- Canari 12
- Amazonas 12



Descriptive Plan



CLIENT: SOS CHILDREN VILLAGE GEORGIA

ARCHITECT: VAHID FARHANI
575734771 VAHIDFARHANI@GMAIL.COM

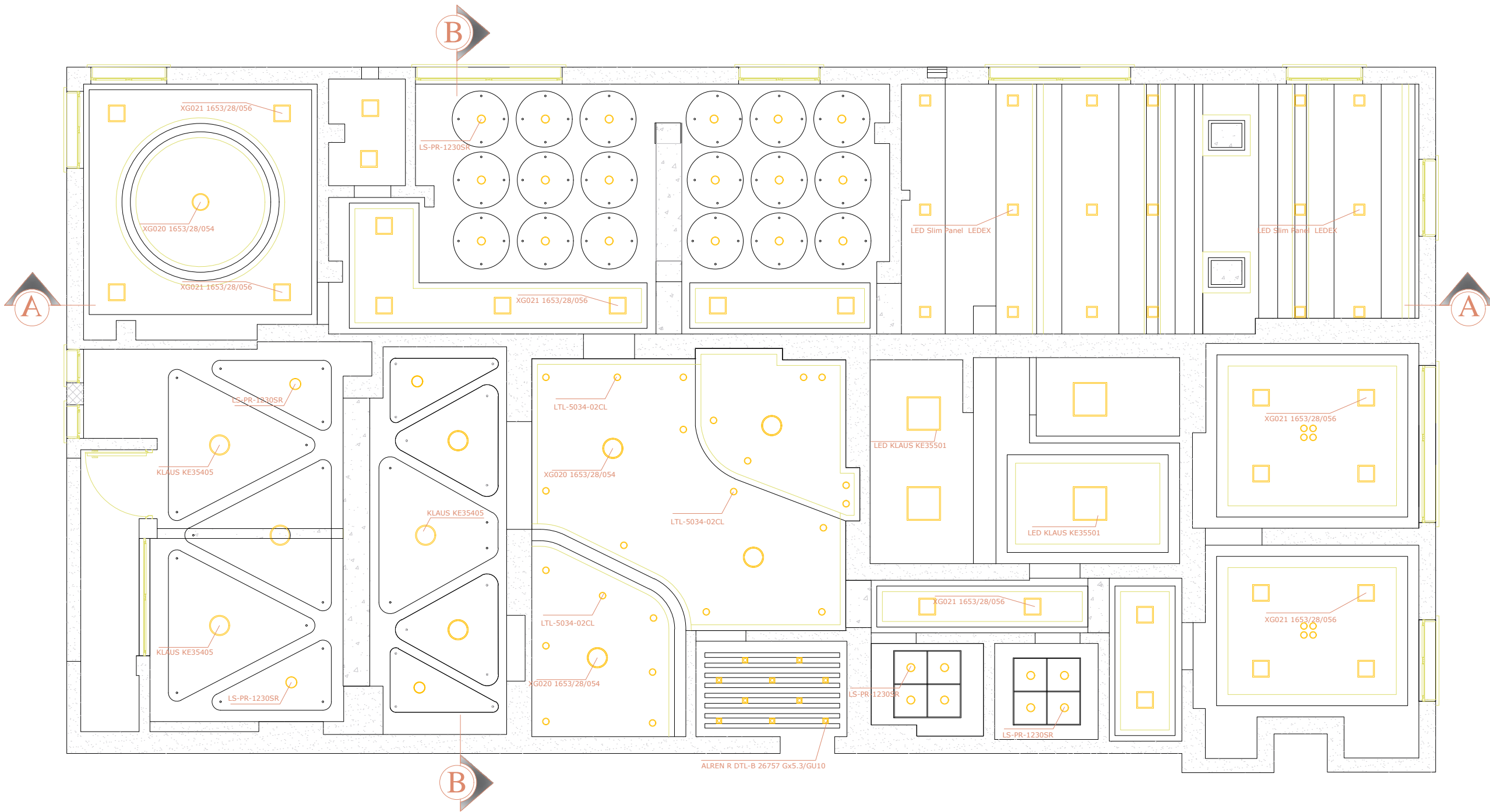
SITE: KAZBEGI

TITLE: DESCRIPTIVE PLAN

SCALE AT A3: scale	DATE: 12/07/2020	DRAWN: VAHID	CHECKED:
PROJECT NO: 110	DRAWING NO: 008	REVISION: 01	

Notes:

All Lighting and fixtures checked in Georgia market. see all specs in Details part.



Lighting Plan



CLIENT:
SOS CHILDREN VILLAGE GEORGIA

ARCHITECT:
VAHID FARHANI
57534771 VAHIDFARHANI@GMAIL.COM

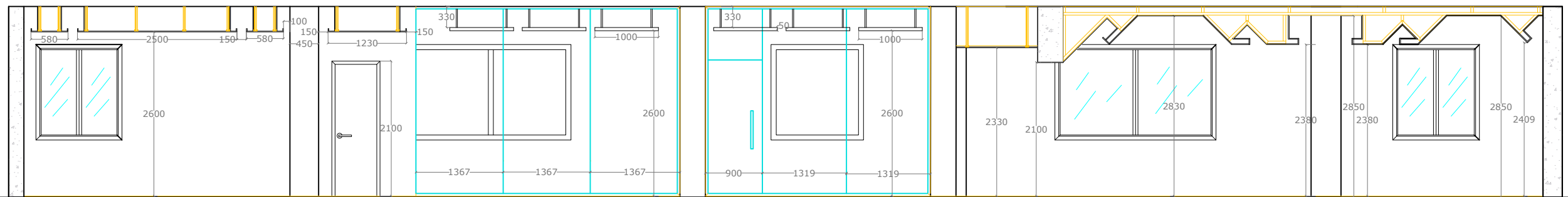
SITE:
KAZBEGI

TITLE:
LIGHTING DRAWING

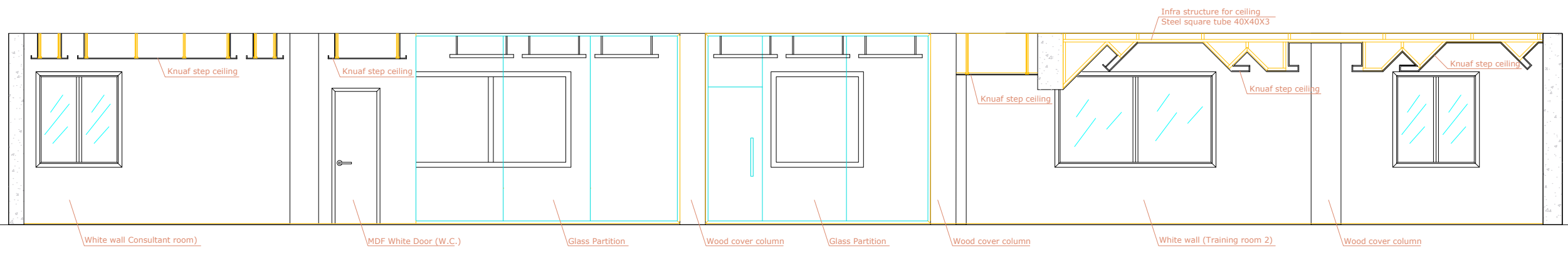
SCALE AT A3: scale	DATE: 07/07/2020	DRAWN: VAHID	CHECKED:
PROJECT NO: 110	DRAWING NO: 09	REVISION:	01

Notes:

Canari 12



Section A-A



Section A-A Materials



CLIENT:
SOS CHILDREN VILLAGE
GEORGIA

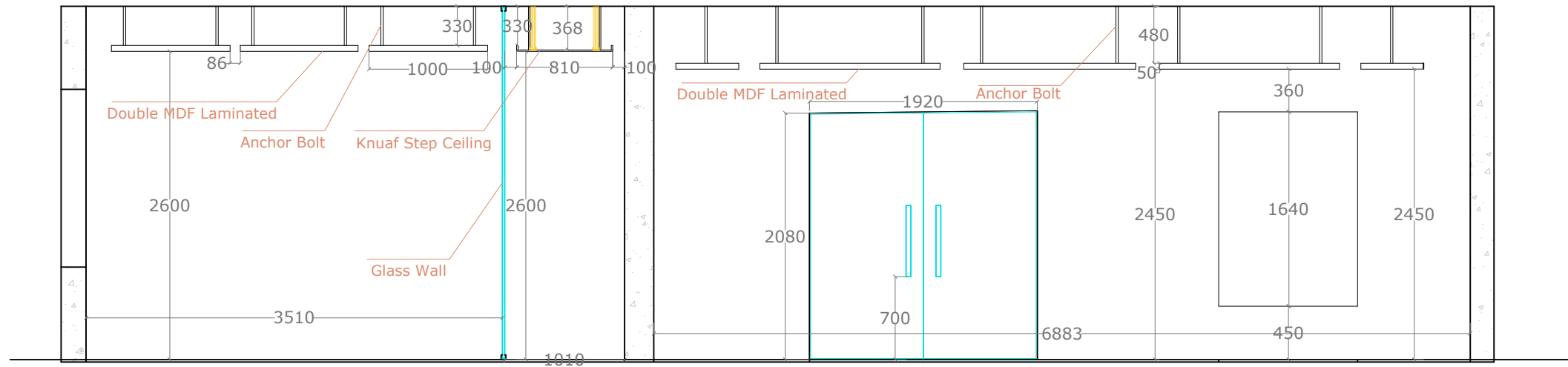
ARCHITECT:
VAHID FARHANI
575734771 VAHIDFARHANI@GMAIL.COM

SITE:
KAZBEGI

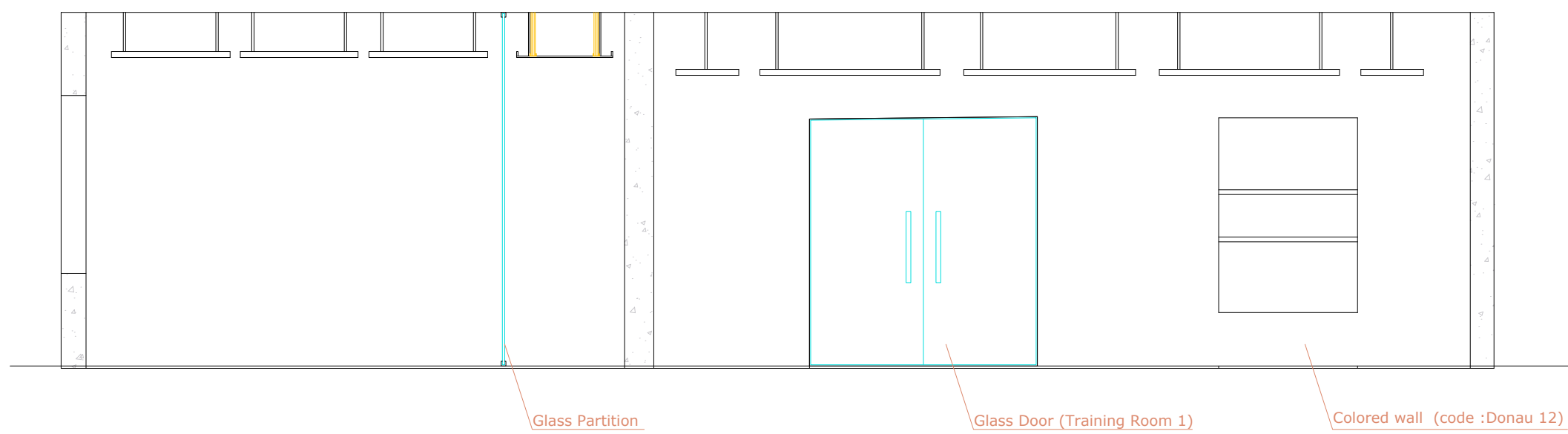
TITLE:
SECTION A-A

SCALE AT A3: scale	DATE: 07/07/2020	DRAWN: VAHID	CHECKED:
PROJECT NO: 110	DRAWING NO: 010	REVISION: 01	

Notes:



Section B-B



Section B-B Materials



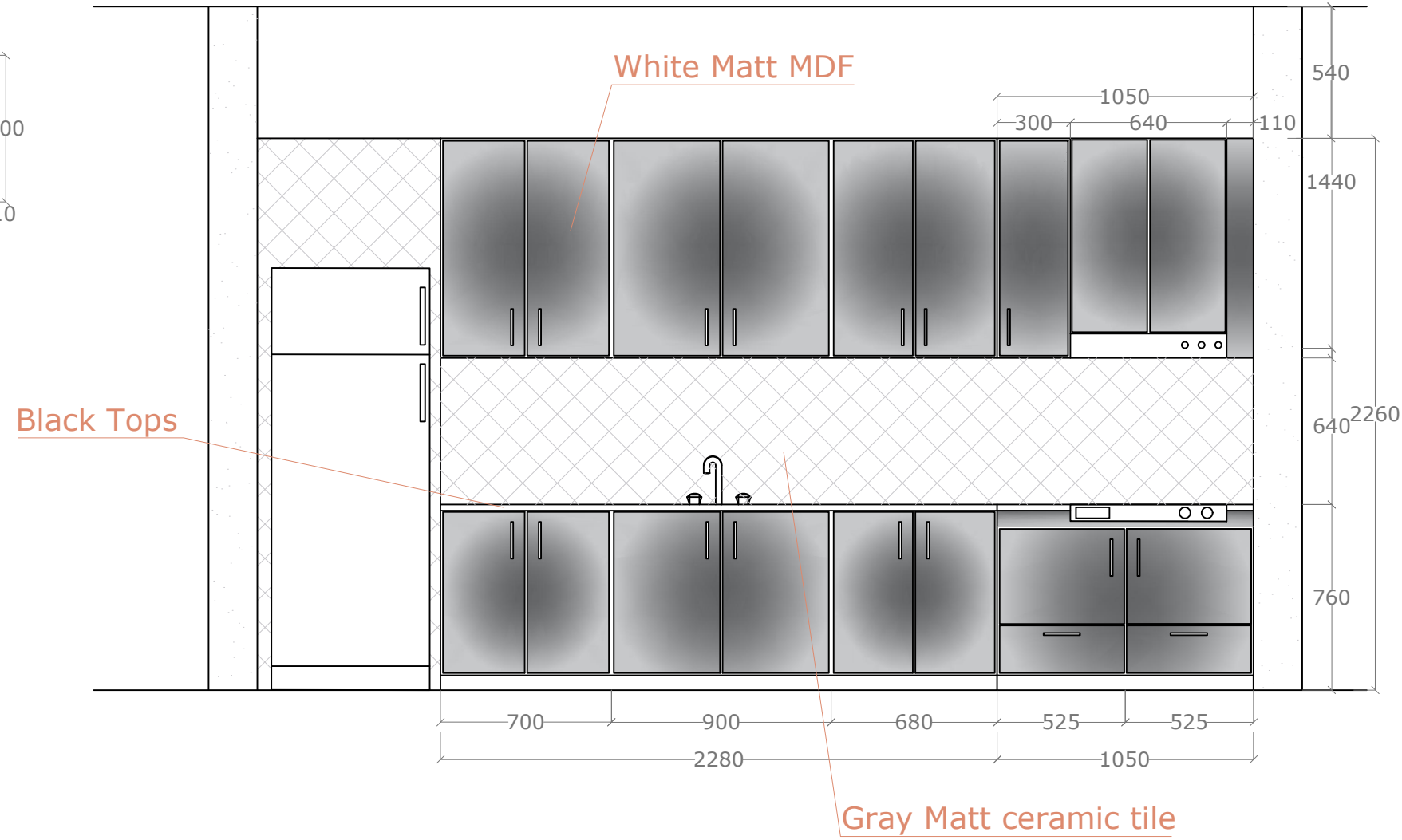
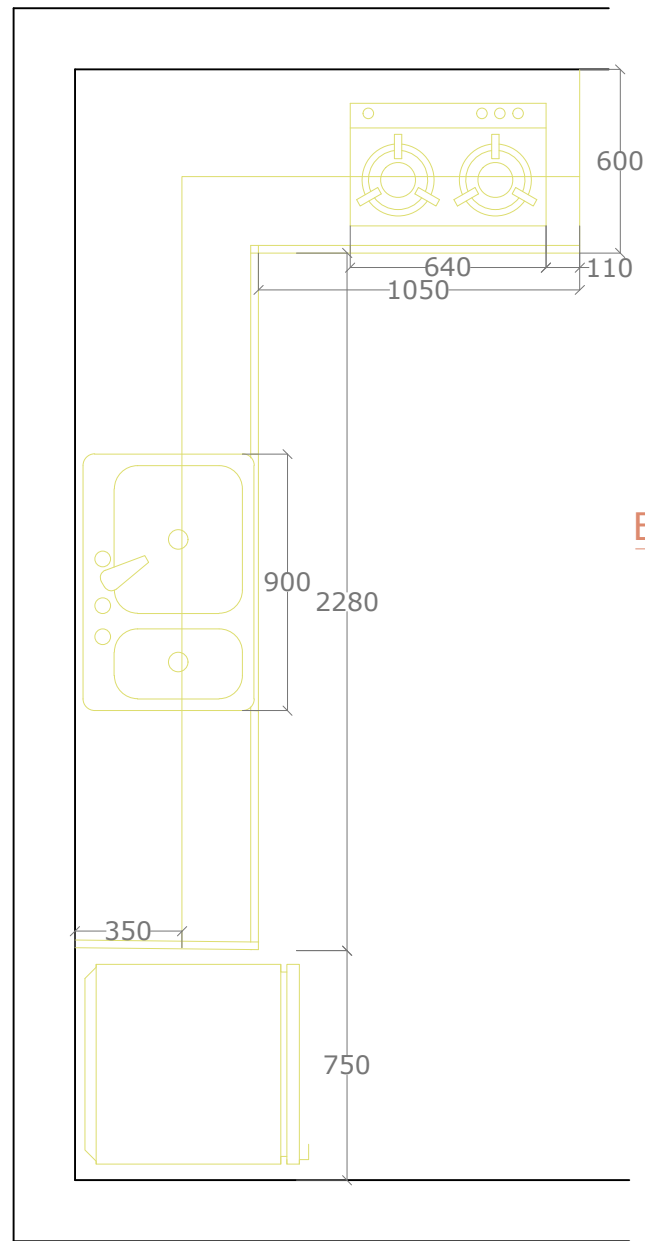
CLIENT:
SOS CHILDREN VILLAGE
GEORGIA

ARCHITECT:
VAHID FARHANI
575734771 VAHIDFARHANI@GMAIL.COM

SITE:
KAZBEGI

TITLE:
SECTION B-B

SCALE AT A3: scale	DATE: 07/07/2020	DRAWN: VAHID	CHECKED:
PROJECT NO: 110	DRAWING NO: 011	REVISION: 01	



Kitchen
K-1 / Det.40

Notes:



CLIENT: SOS CHILDREN VILLAGE GEORGIA

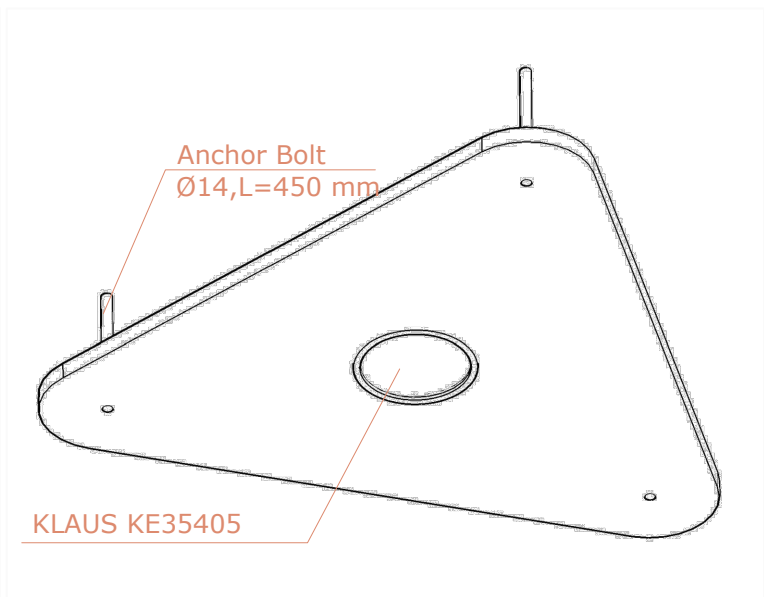
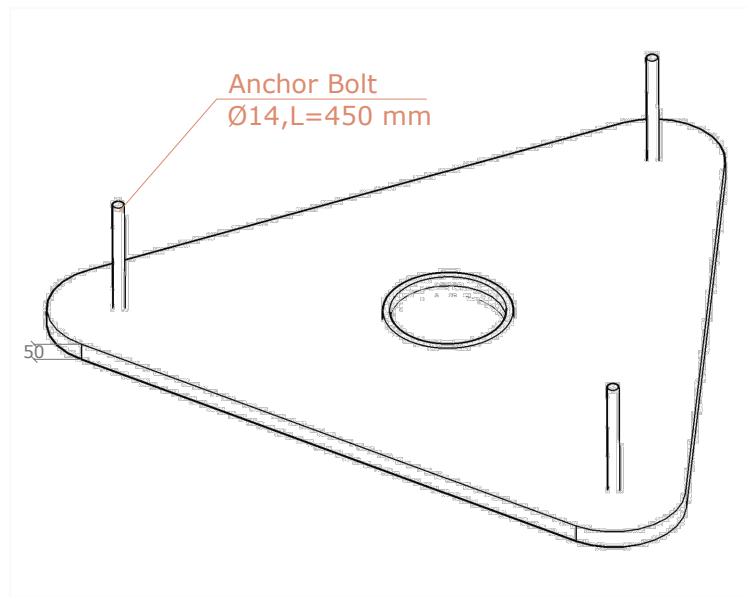
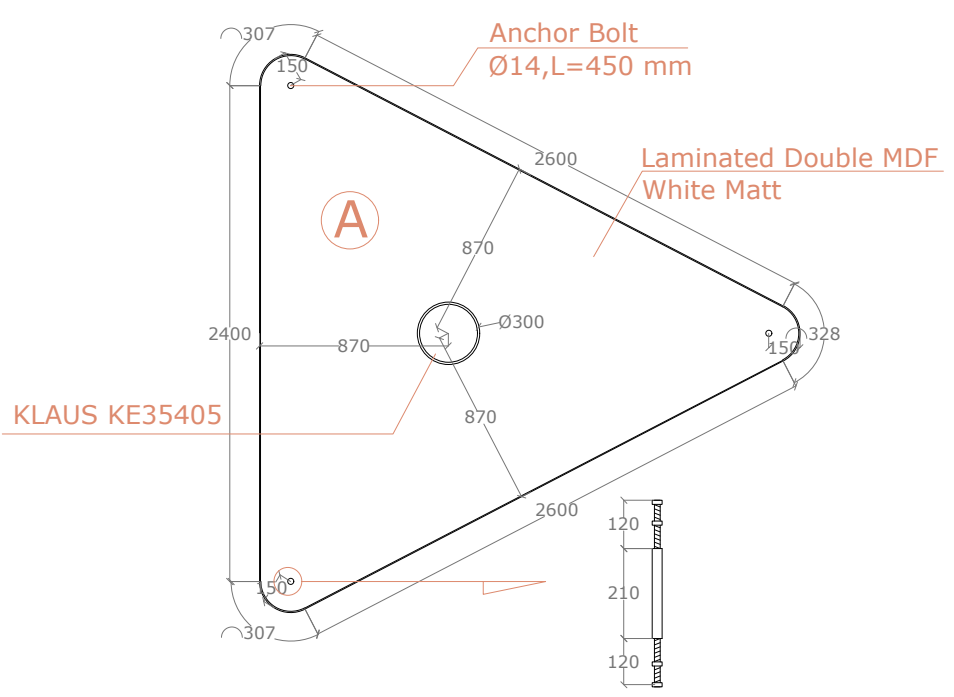
ARCHITECT: VAHID FARHANI
575734771 VAHIDFARHAN@GMAIL.COM

SITE: KAZBEGI

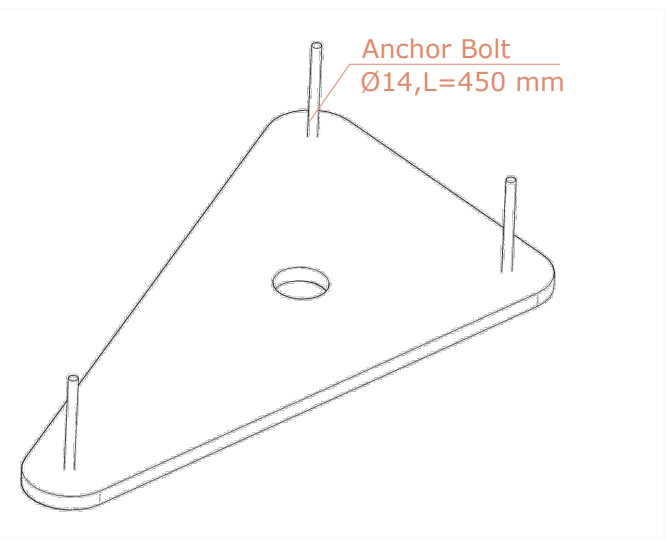
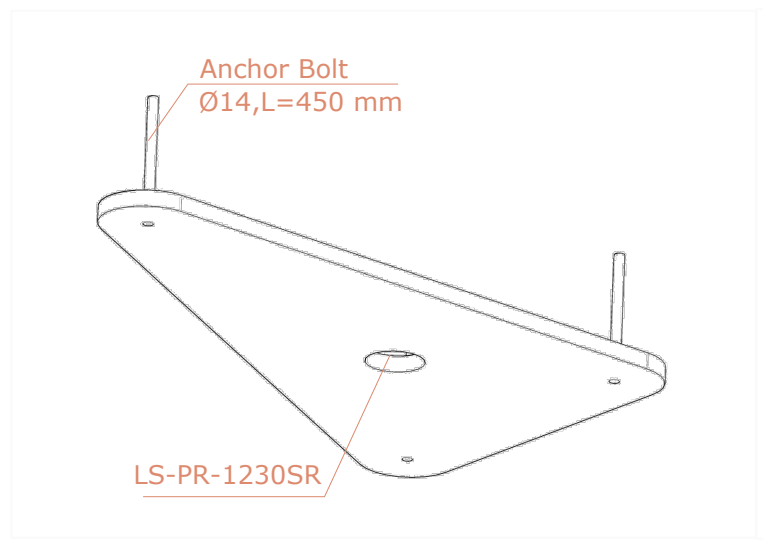
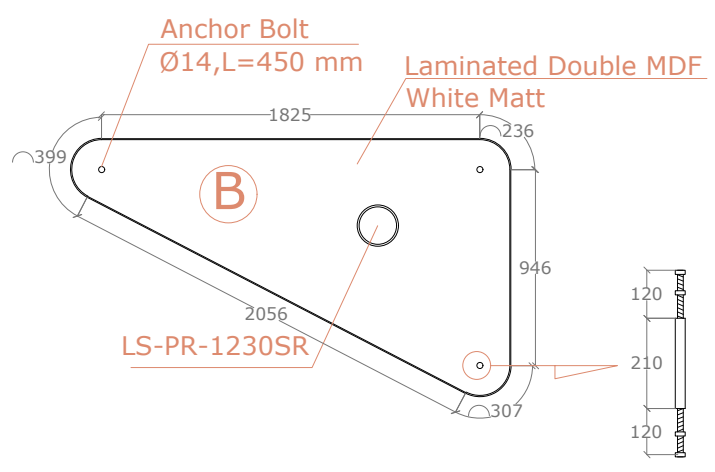
TITLE: KITCHEN

SCALE AT A3: scale	DATE: 07/07/2020	DRAWN: VAHID	CHECKED:
PROJECT NO: 110	DRAWING NO: 012	REVISION:	01

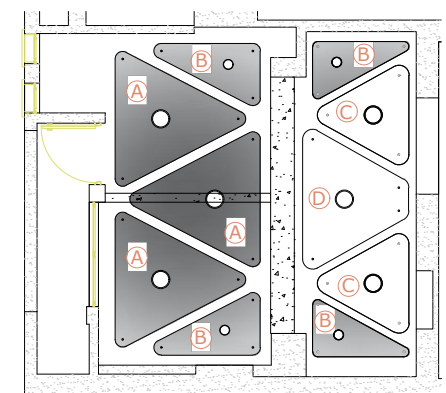
Notes:



Type A



Type B



Training Room 1 Ceiling

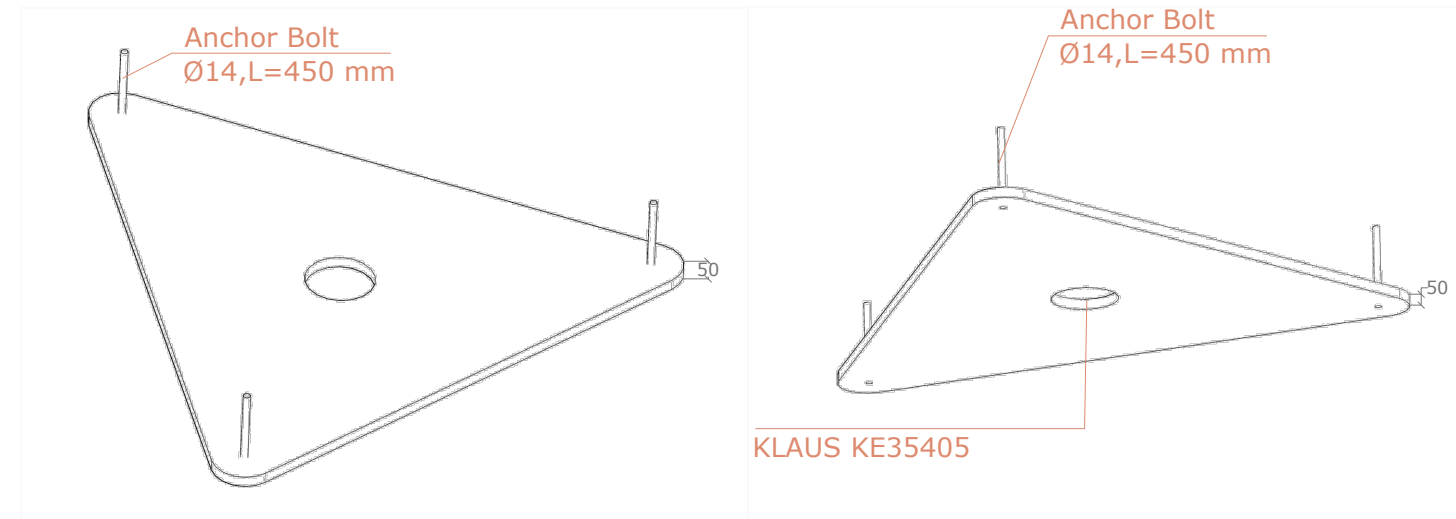
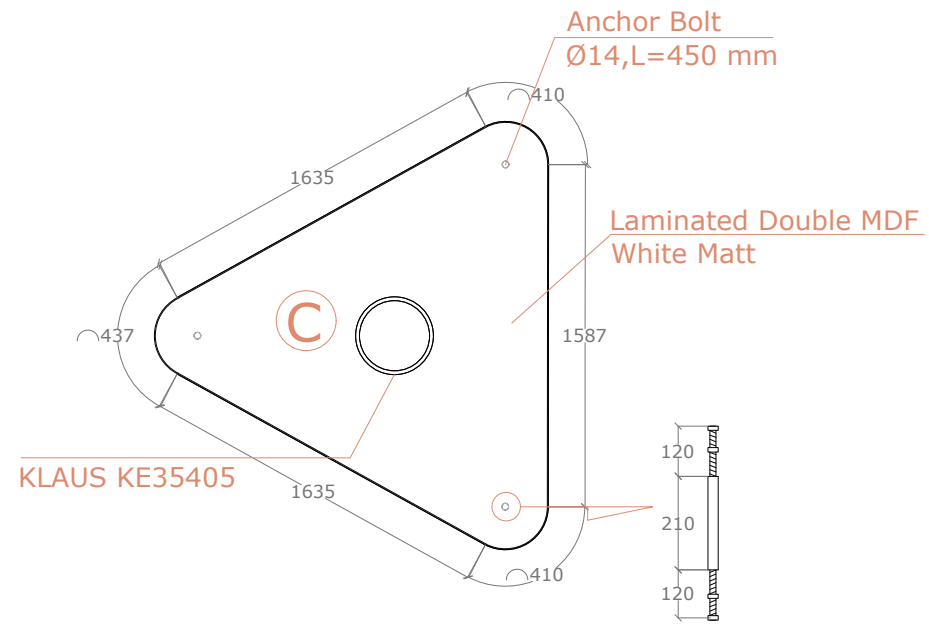


CLIENT: SOS CHILDREN VILLAGE GEORGIA
 ARCHITECT: VAHID FARHANI
 57534771 VAHIDFARHAN@GMAIL.COM

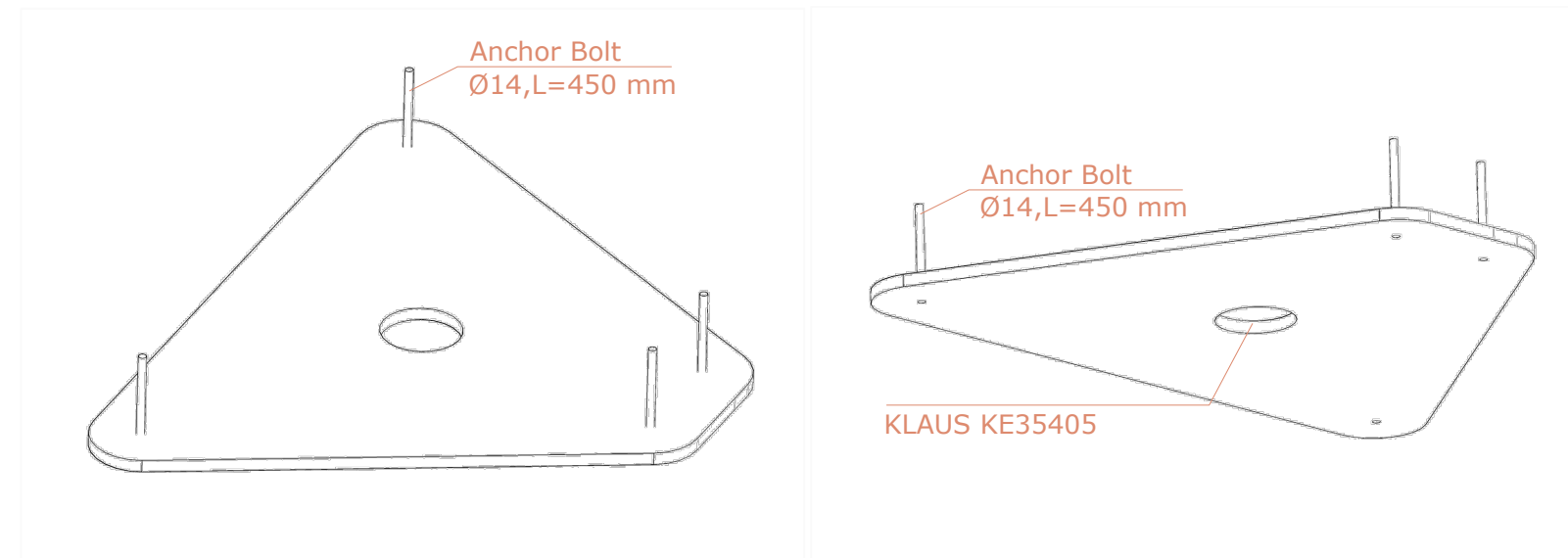
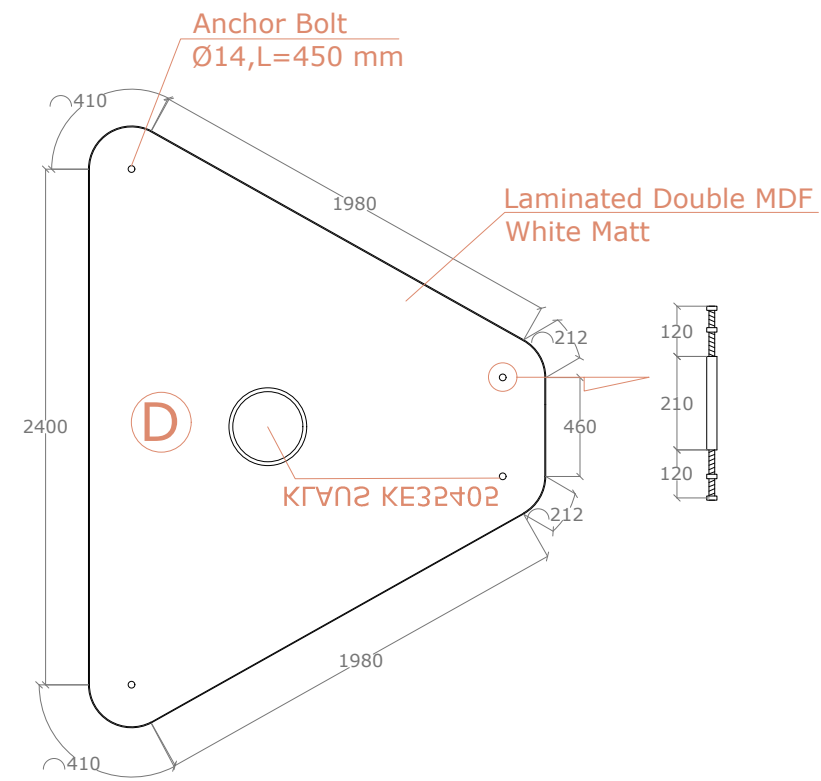
SITE: KAZBEGI

TITLE: CEILING TRAINING ROOM1 A

SCALE AT A3: scale	DATE: 07/07/2020	DRAWN: VAHID	CHECKED:
PROJECT NO: 110	DRAWING NO: 013	REVISION: 01	

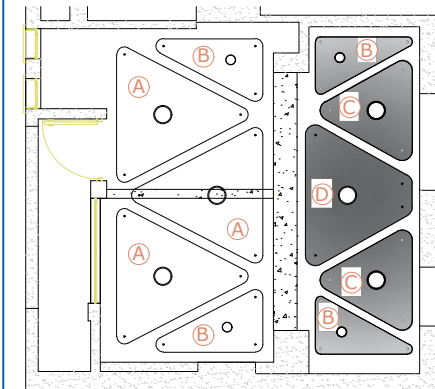


Type c



Type D

Notes:



Training Room 1 Ceiling



CLIENT:
SOS CHILDREN VILLAGE
GEORGIA

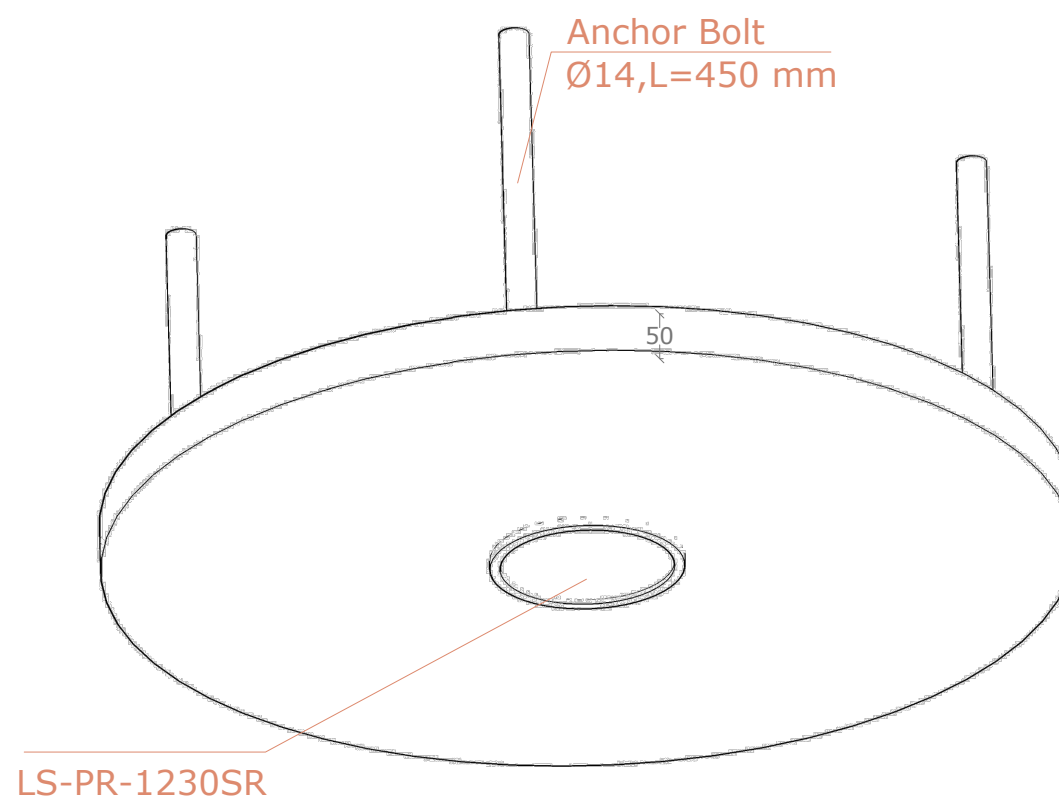
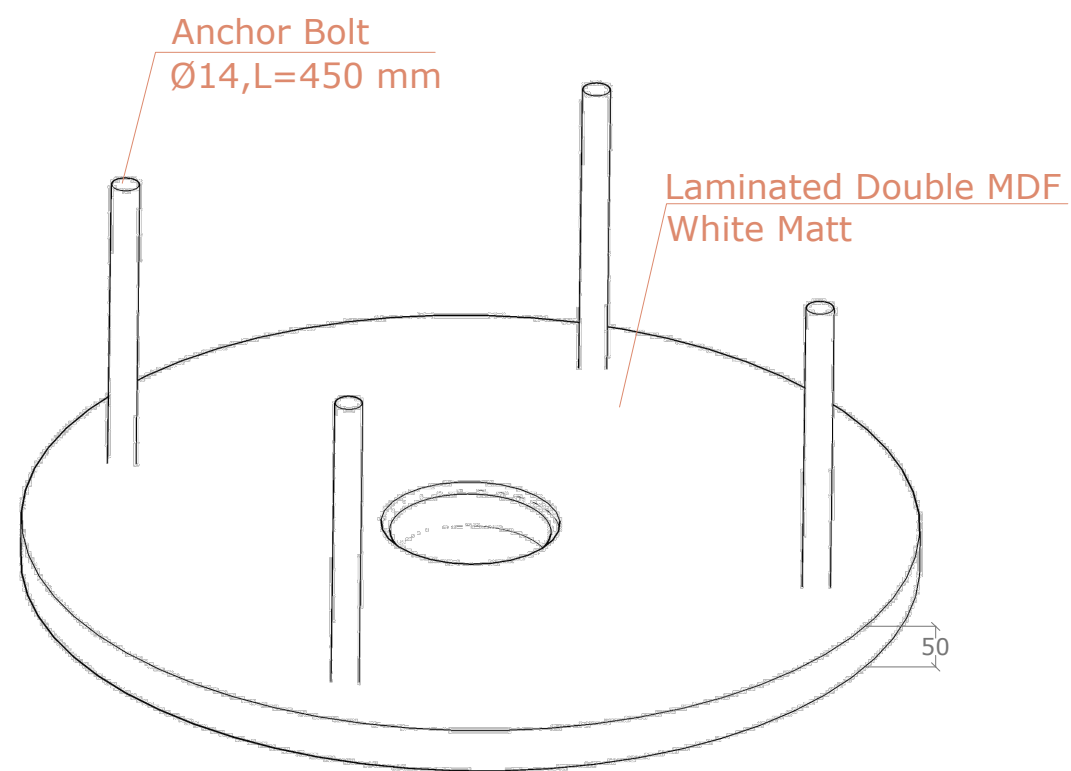
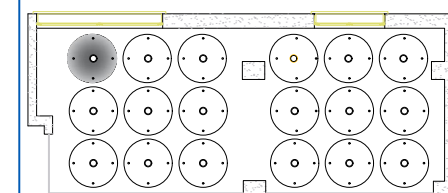
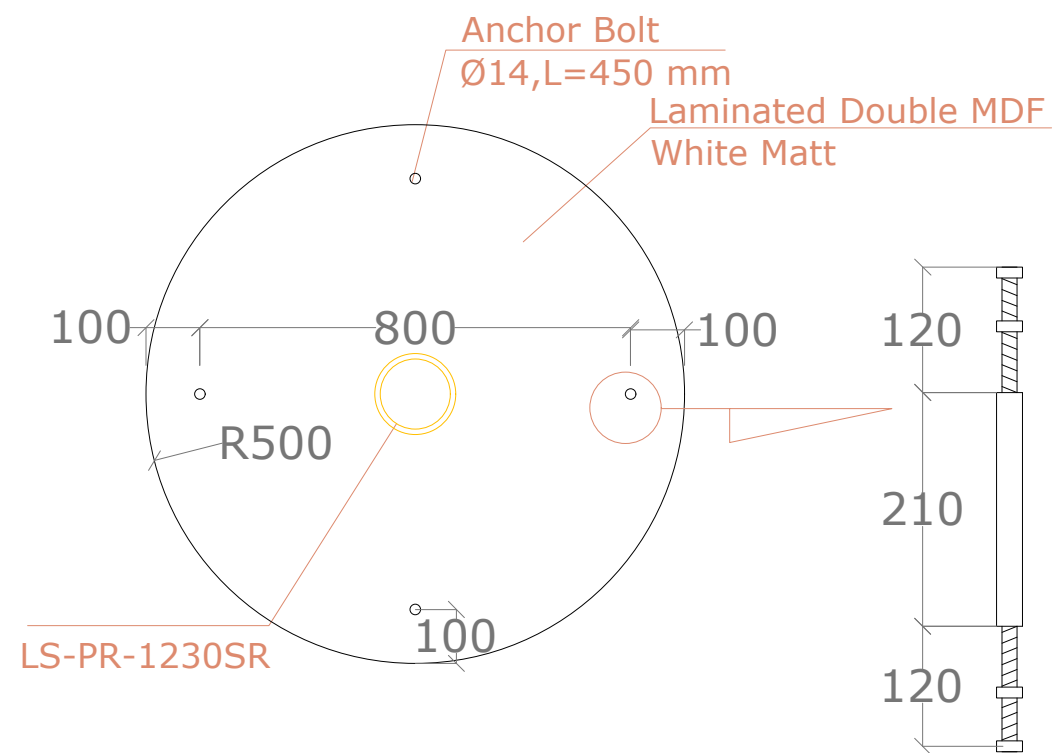
ARCHITECT:
VAHID FARHANI
57534771 VAHIDFARHANI@GMAIL.COM

SITE:
KAZBEGI

TITLE:
CEILING TRAINING ROOM 1 B

SCALE AT A3: scale	DATE: 07/07/2020	DRAWN: VAHID	CHECKED:
PROJECT NO: 110	DRAWING NO: 014	REVISION: 01	

Notes:



Youth Source Ceiling



CLIENT:
SOS CHILDREN VILLAGE
GEORGIA

ARCHITECT:
VAHID FARHANI
575734771 VAHIDFARHAN@GMAIL.COM

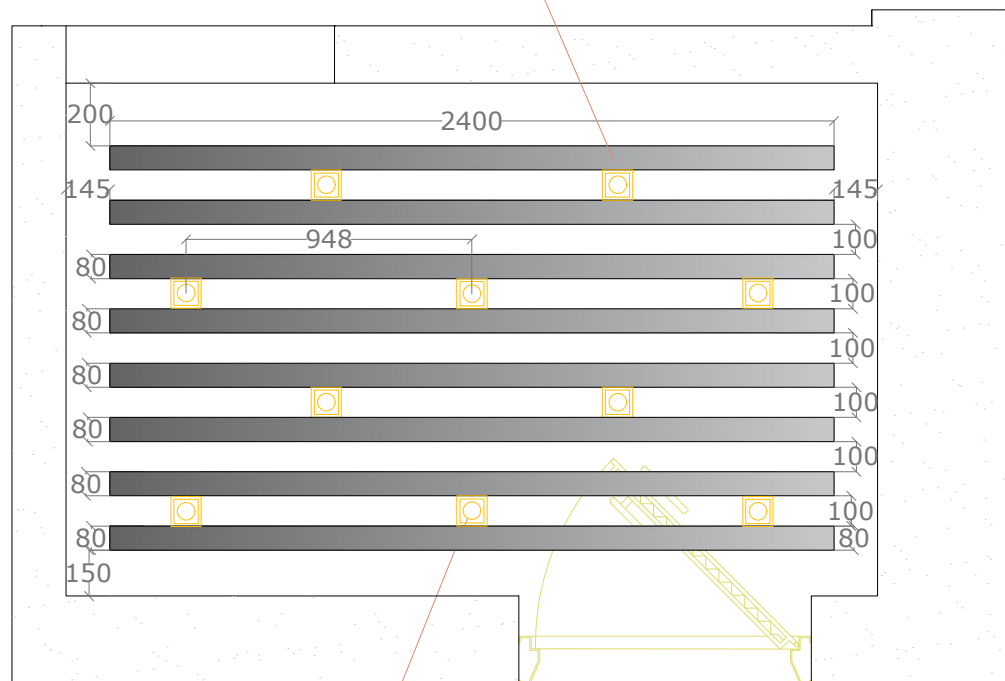
SITE:
KAZBEGI

TITLE:
CEILING YOUTH SOURCE

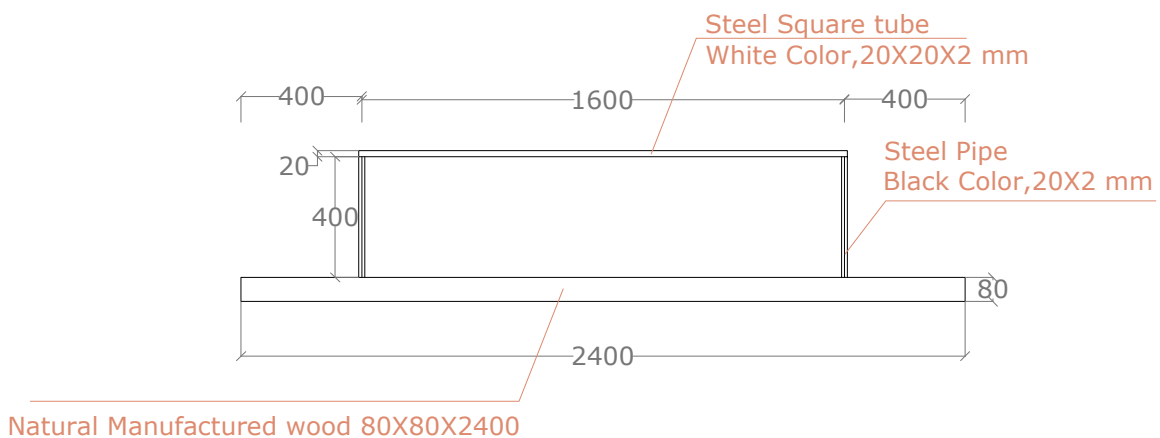
SCALE AT A3: scale	DATE: 07/07/2020	DRAWN: VAHID	CHECKED:
PROJECT NO: 110	DRAWING NO: 015	REVISION:	01

Notes:

Natural Manufactured wood 80X80X2400

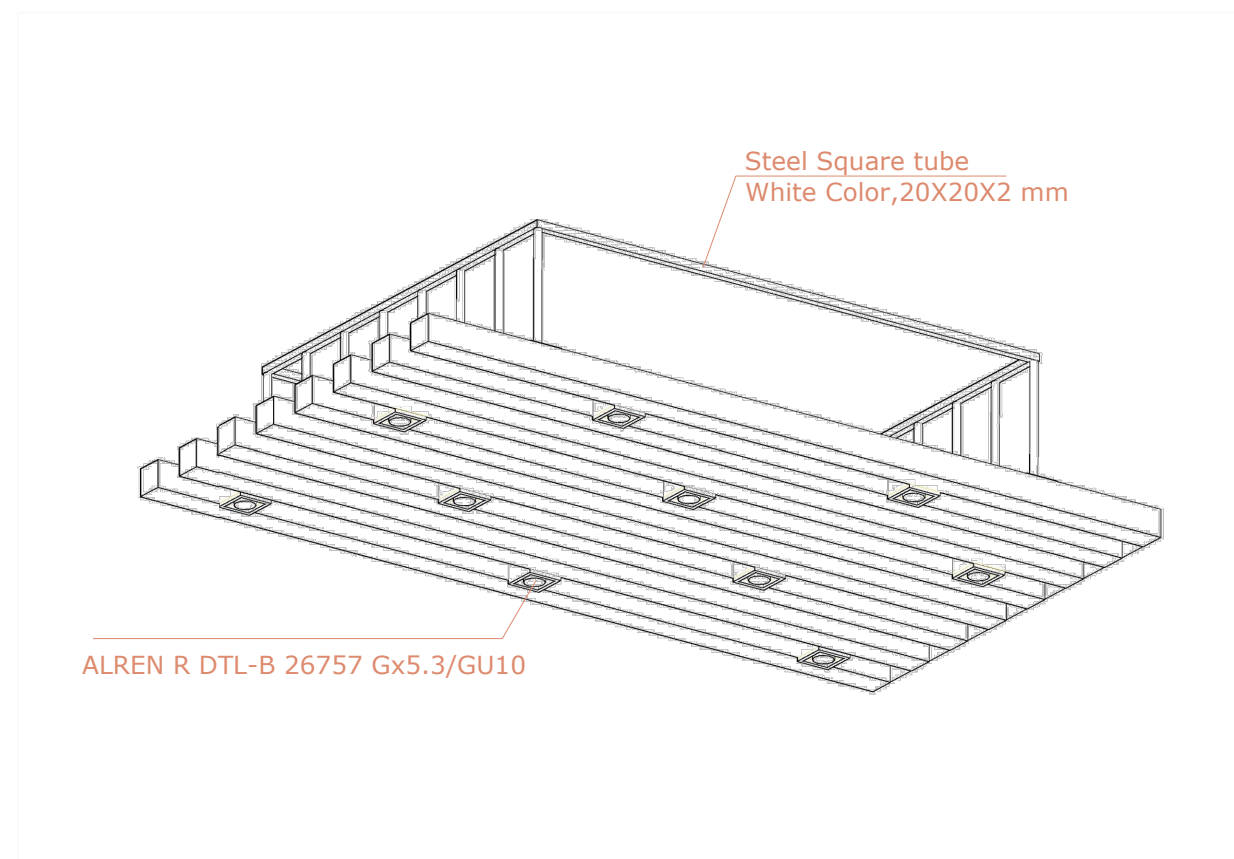


ALREN R DTL-B 26757 Gx5.3/GU10



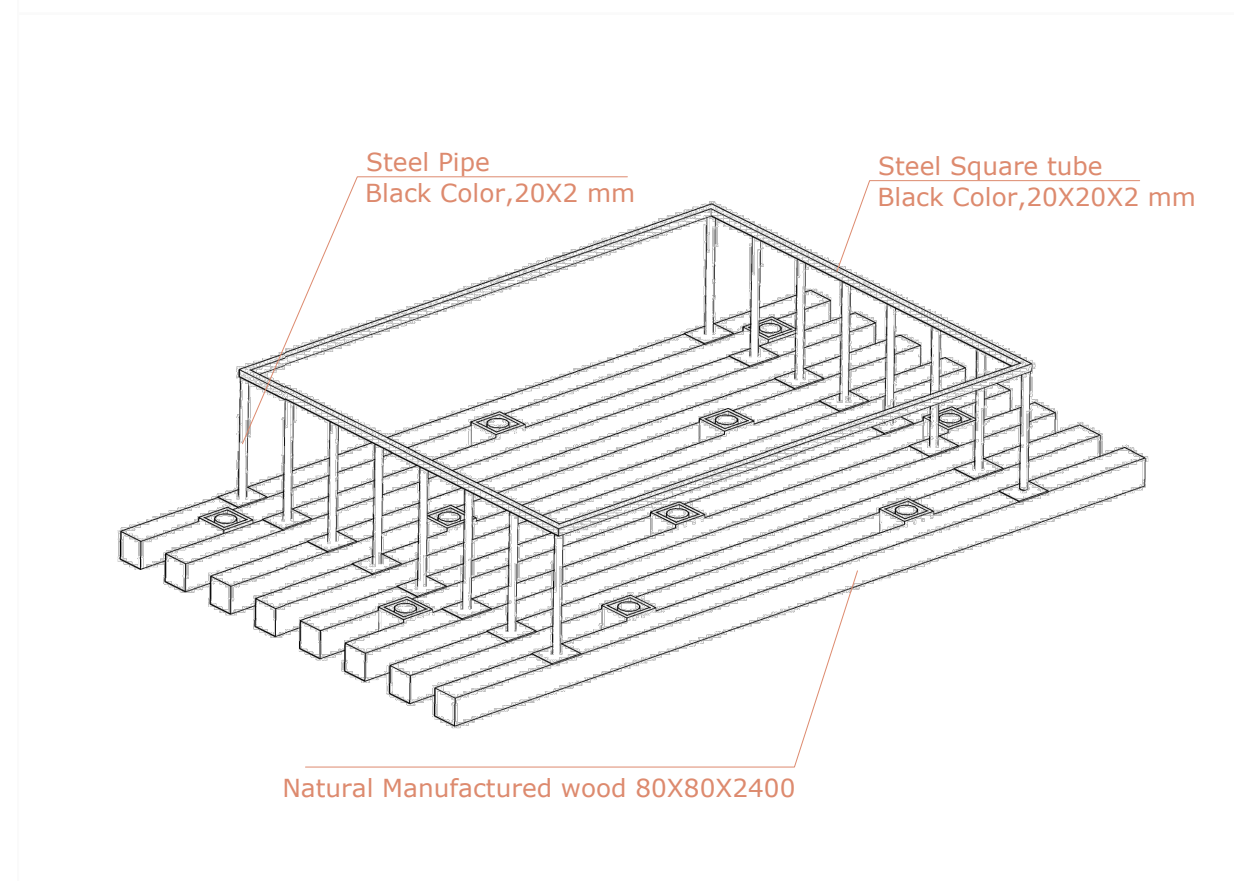
Natural Manufactured wood 80X80X2400

Entrance Ceiling



Steel Square tube
White Color, 20X20X2 mm

ALREN R DTL-B 26757 Gx5.3/GU10



Steel Pipe
Black Color, 20X2 mm

Steel Square tube
Black Color, 20X20X2 mm

Natural Manufactured wood 80X80X2400



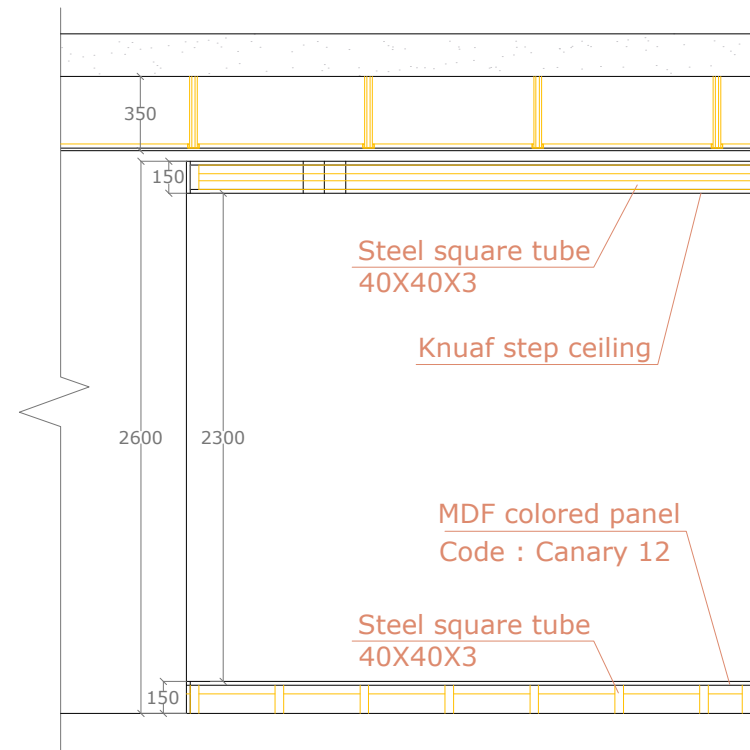
CLIENT: SOS CHILDREN VILLAGE GEORGIA

ARCHITECT: VAHID FARHANI
575734771 VAHIDFARHANI@GMAIL.COM

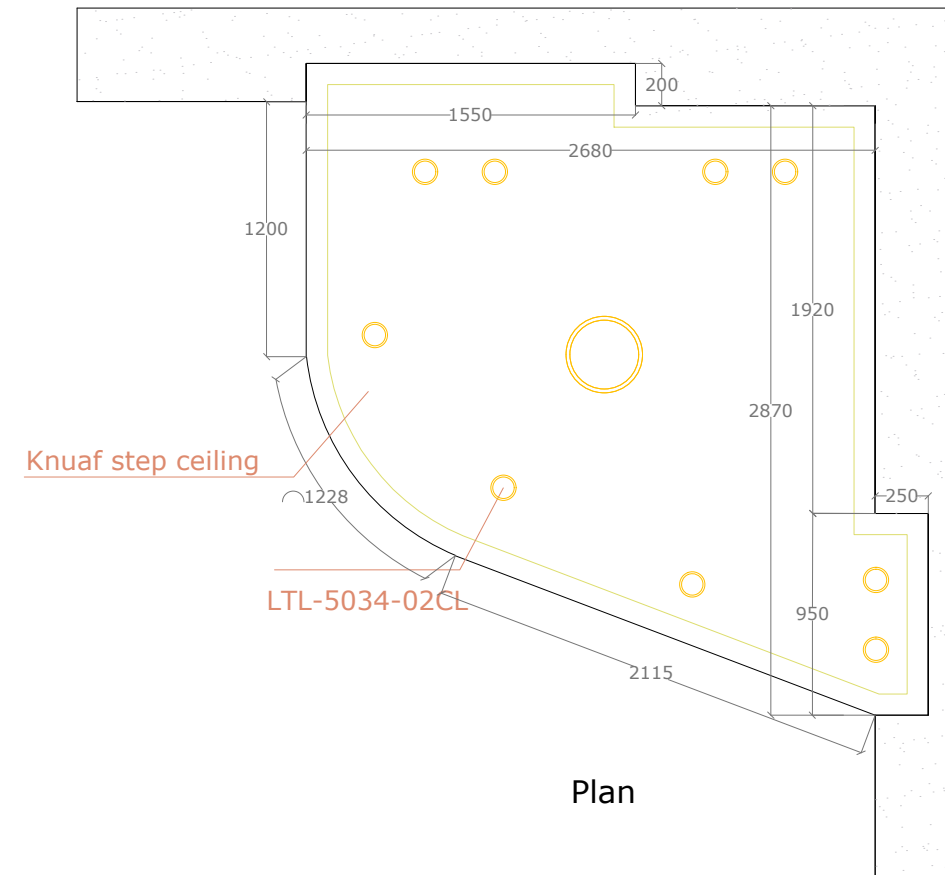
SITE: KAZBEGI

TITLE: ENTRANCE CEILING

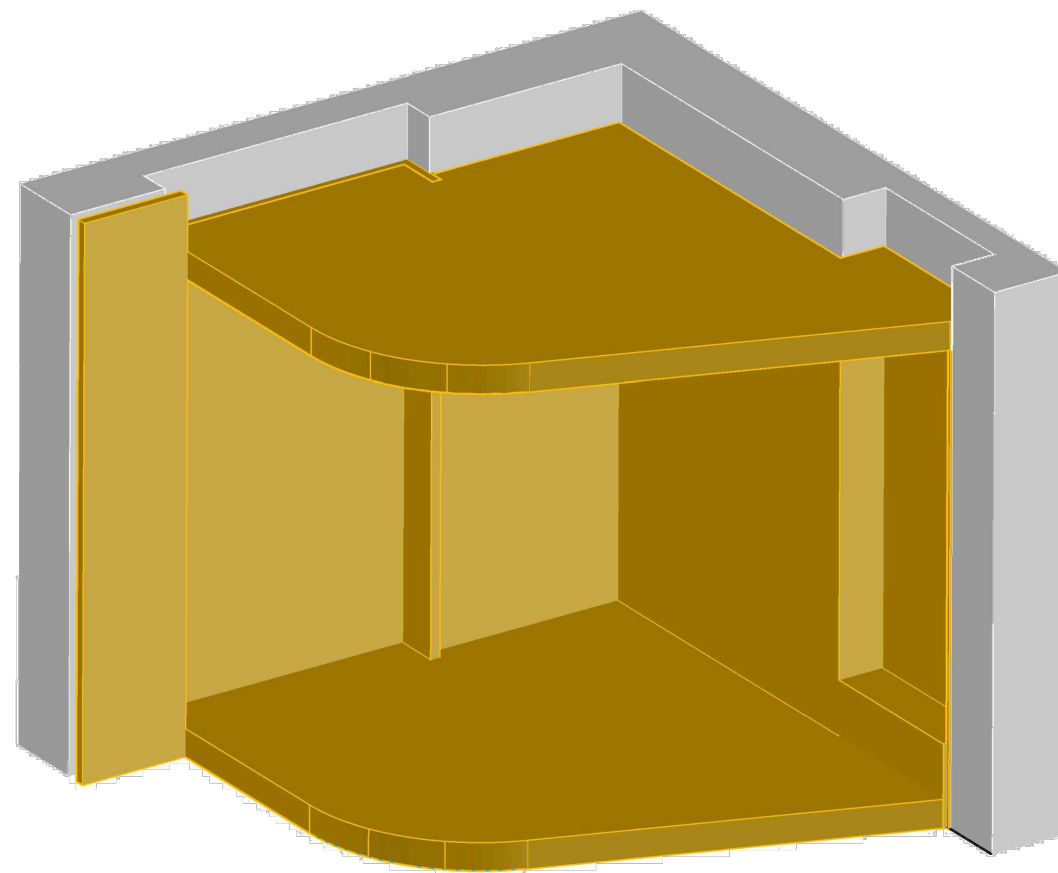
SCALE AT A3: scale	DATE: 07/07/2020	DRAWN: VAHID	CHECKED:
PROJECT NO: 110	DRAWING NO: 016	REVISION:	01



Section



Plan



Yellow Deck place
DP-1 / Det.42

Notes:

Color code



Canari 12



**SOS CHILDREN'S
 VILLAGES
 GEORGIA**

CLIENT:

SOS CHILDREN VILLAGE
 GEORGIA

ARCHITECT:

VAHID FARHANI

575734771 VAHIDFARHANI@GMAIL.COM

SITE:

KAZBEGI

TITLE:

ENTERTAINMENT CORNER

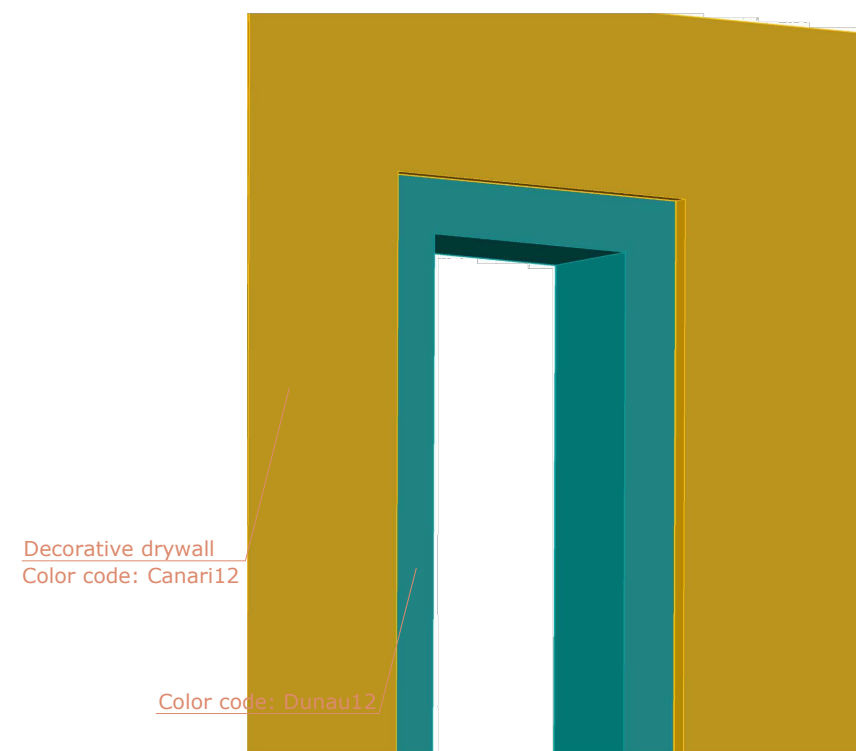
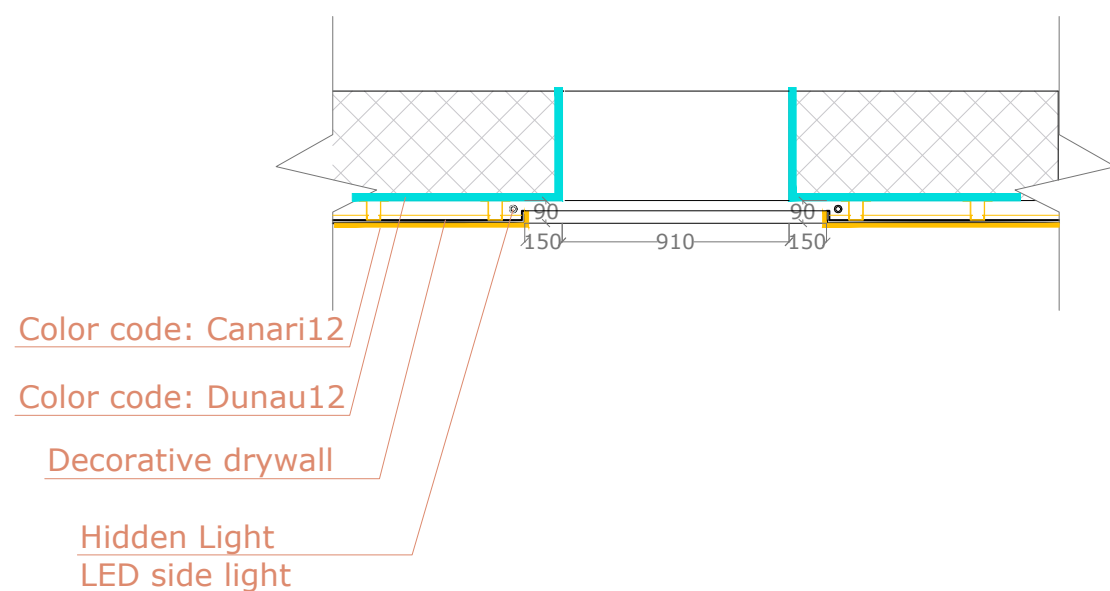
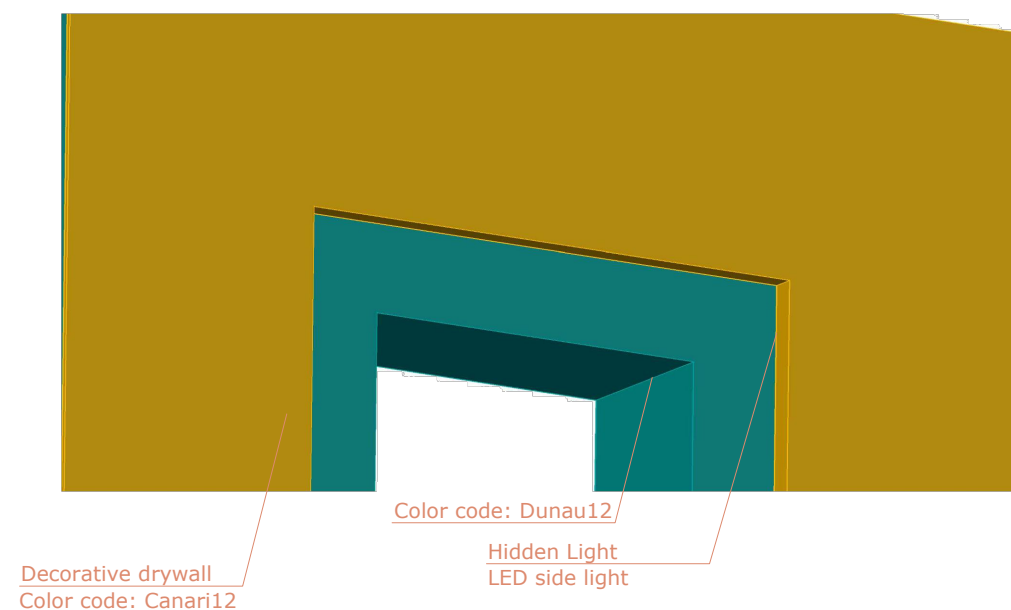
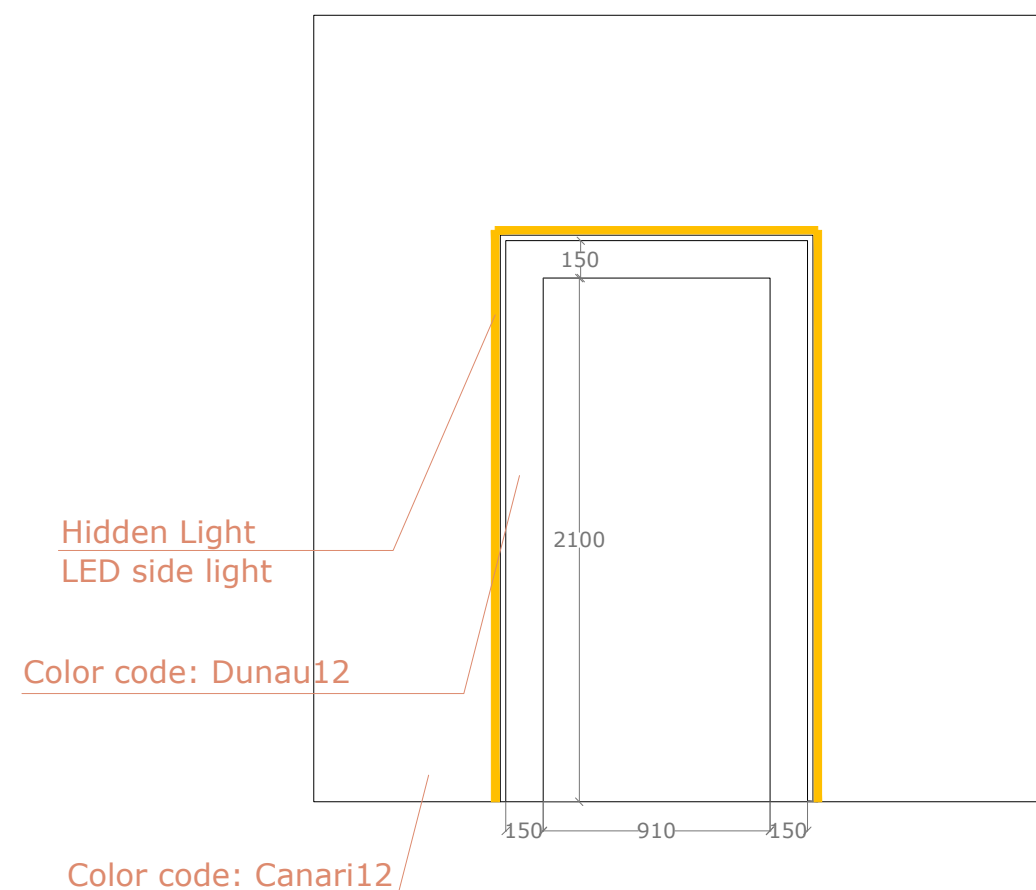
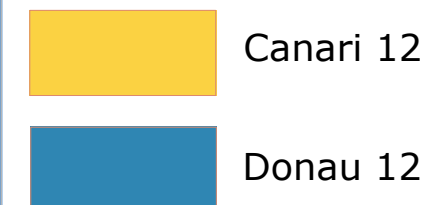
SCALE AT A3: DATE: DRAWN: CHECKED:

scale 07/07/2020 VAHID

PROJECT NO: DRAWING NO: REVISION:

110 017 01

Notes:



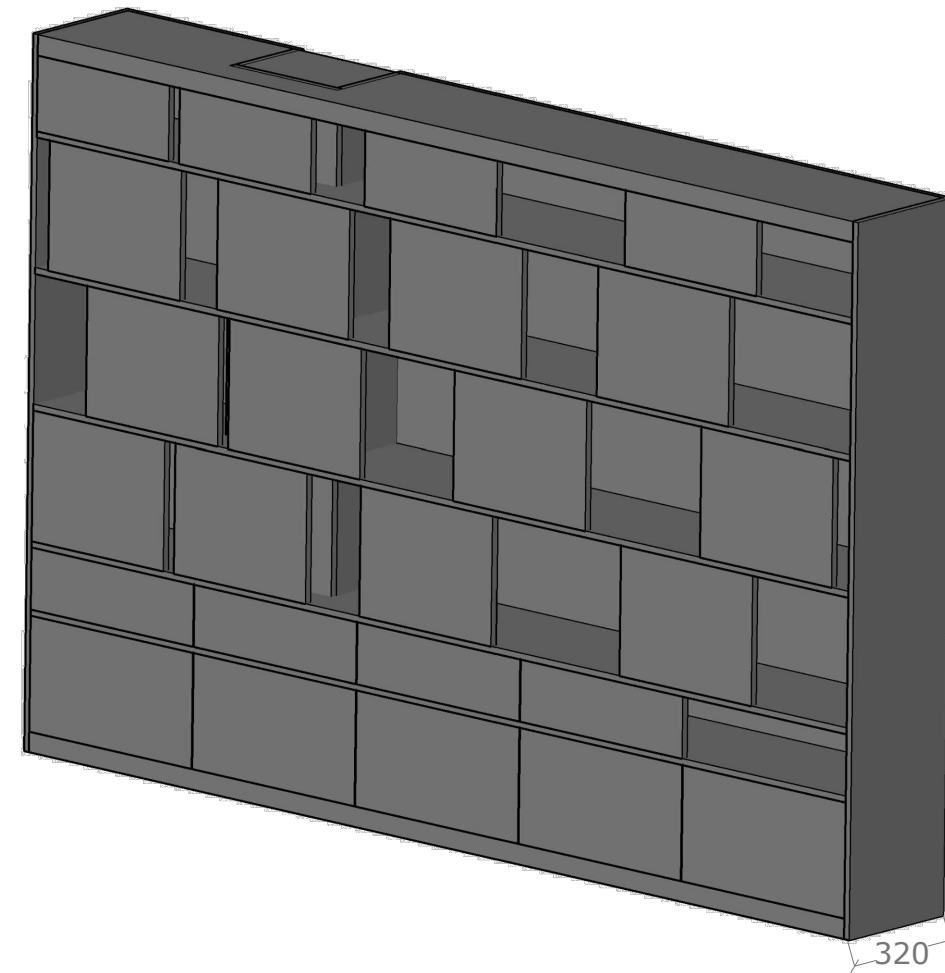
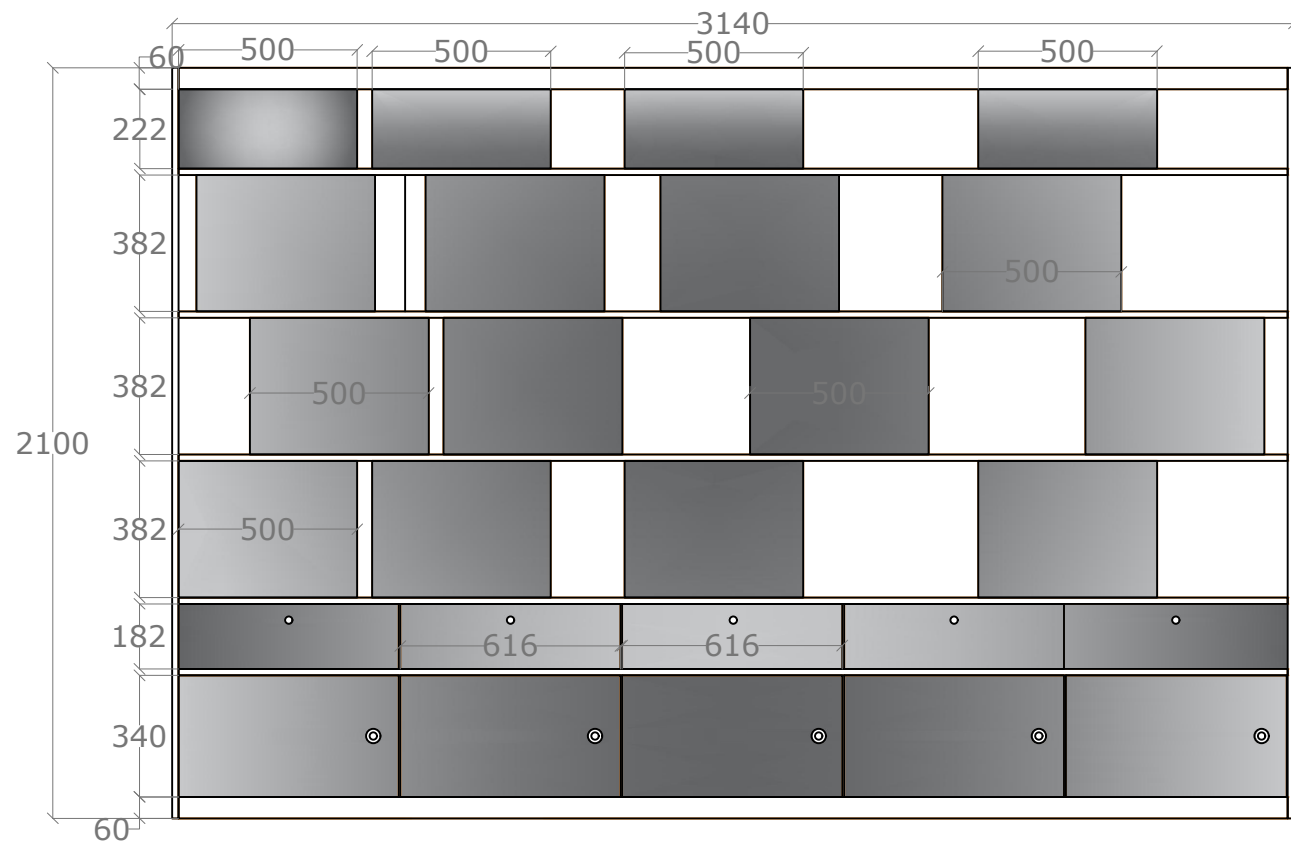
CLIENT:
SOS CHILDREN VILLAGE
GEORGIA

ARCHITECT:
VAHID FARHANI
575734771 VAHIDFARHAN@GMAIL.COM

SITE:
KAZBEGI

TITLE:
DECORATIVE WALL

SCALE AT A3: scale	DATE: 12/07/2020	DRAWN: VAHID	CHECKED:
PROJECT NO: 110	DRAWING NO: 018	REVISION:	01



Library - Training Room 2

LI-1 / Det.19

White Matt MDF
 Railing doors.
 Drawers and Closet with lock.

Notes:



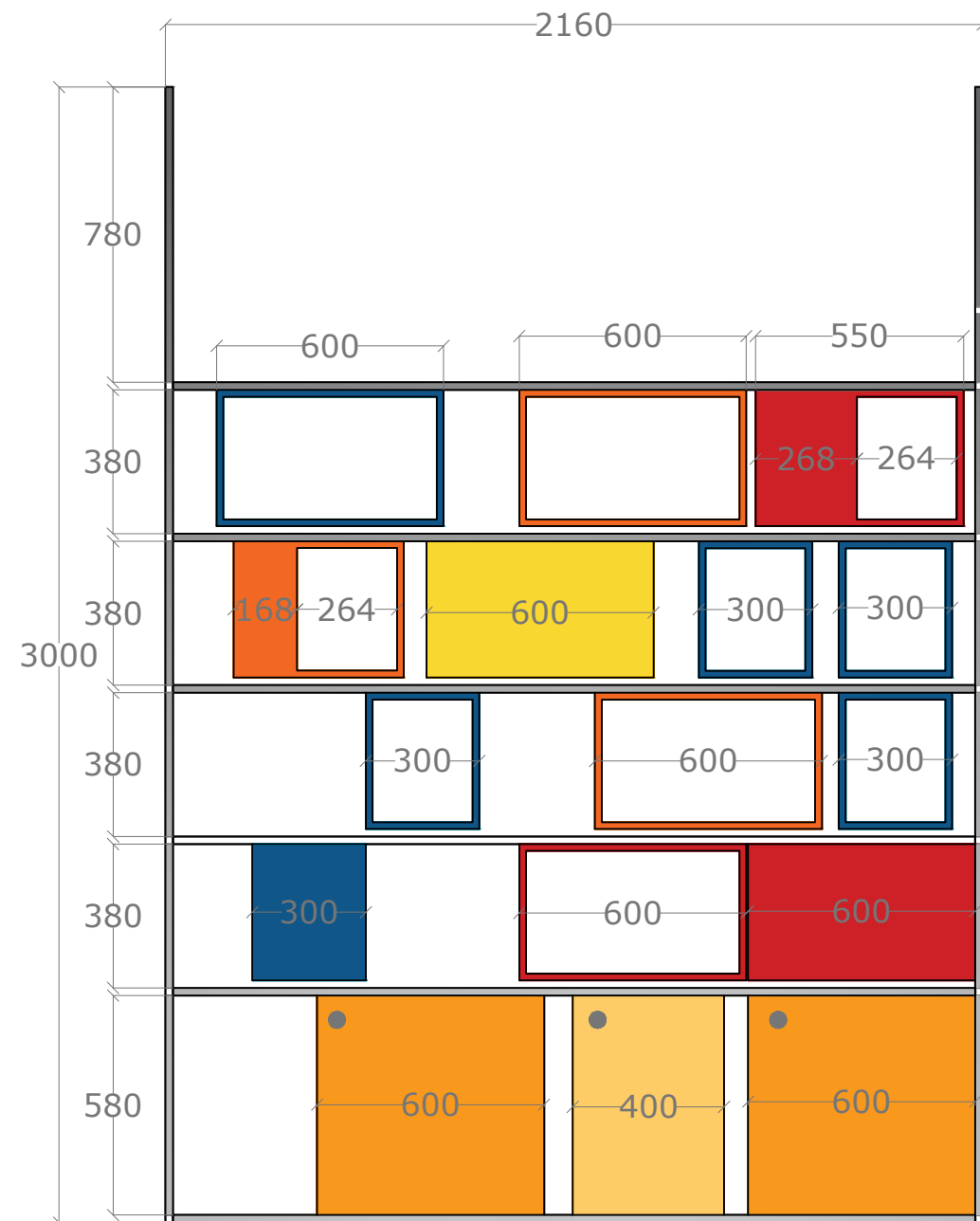
CLIENT: SOS CHILDREN VILLAGE GEORGIA

ARCHITECT: VAHID FARHANI
 575734771 VAHIDFARHANI@GMAIL.COM

SITE: KAZBEGI

TITLE: DECORATIVE LIBRARY
 SOURCE YOUTH

SCALE AT A3: scale	DATE: 12/07/2020	DRAWN: VAHID	CHECKED:
PROJECT NO: 110	DRAWING NO: 019	REVISION:	01



Library - Consultant Room

LI-2 / Det.20

Colored MDF
Square Tube 20X20X2

Notes:



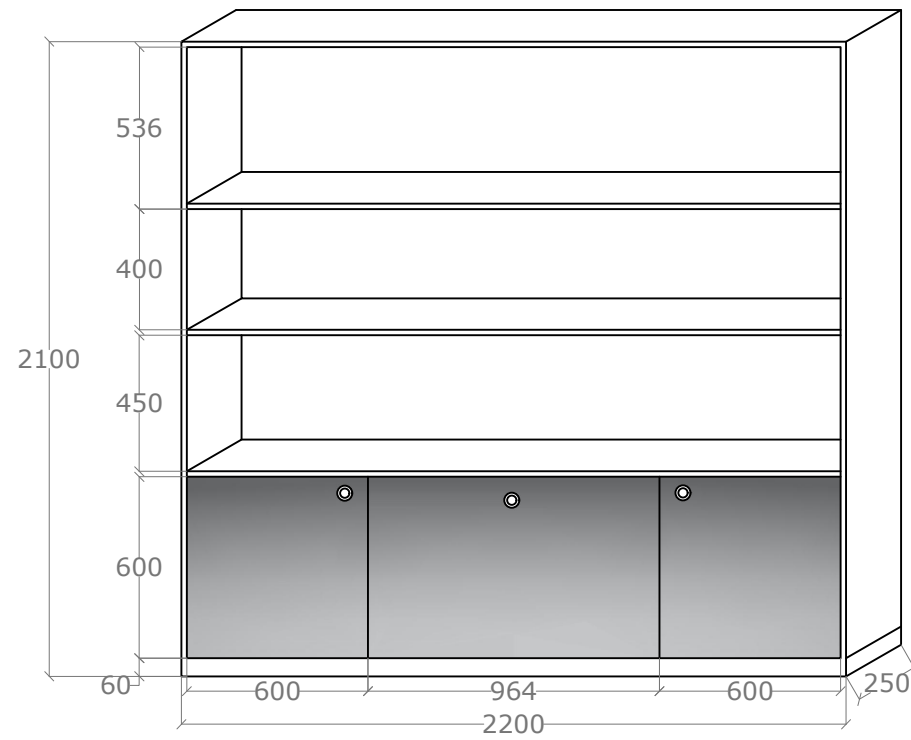
CLIENT:
SOS CHILDREN VILLAGE
GEORGIA

ARCHITECT:
VAHID FARHANI
57534771 VAHIDFARHANI@GMAIL.COM

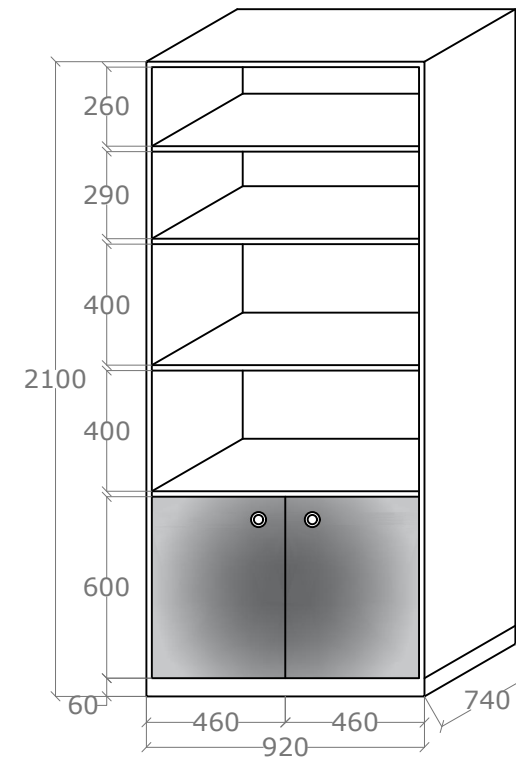
SITE:
KAZBEGI

TITLE:
DECORATIVE LIBRARY
COSULTANT ROOM

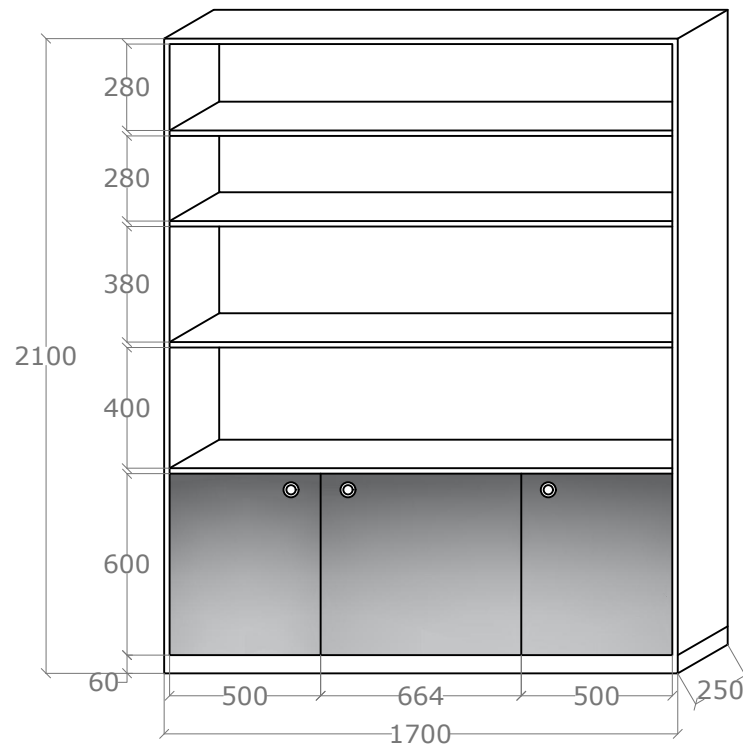
SCALE AT A3: scale	DATE: 12/07/2020	DRAWN: VAHID	CHECKED:
PROJECT NO: 110	DRAWING NO: 020	REVISION:	01



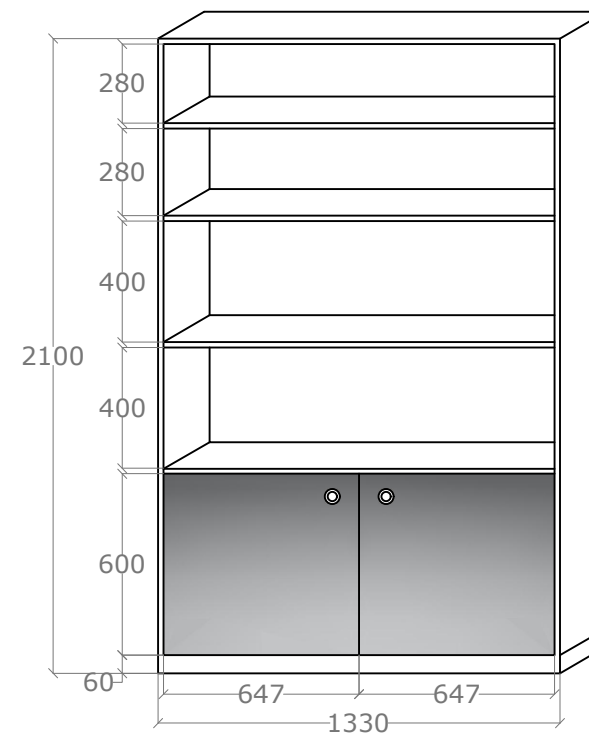
Library
LI-3 / Det.21
 White Matt MDF



Library
LI-5 / Det.26
 White Matt MDF



Library
LI-4 / Det.28
 White Matt MDF



Library
LI-6 / Det.27
 White Matt MDF

Notes:



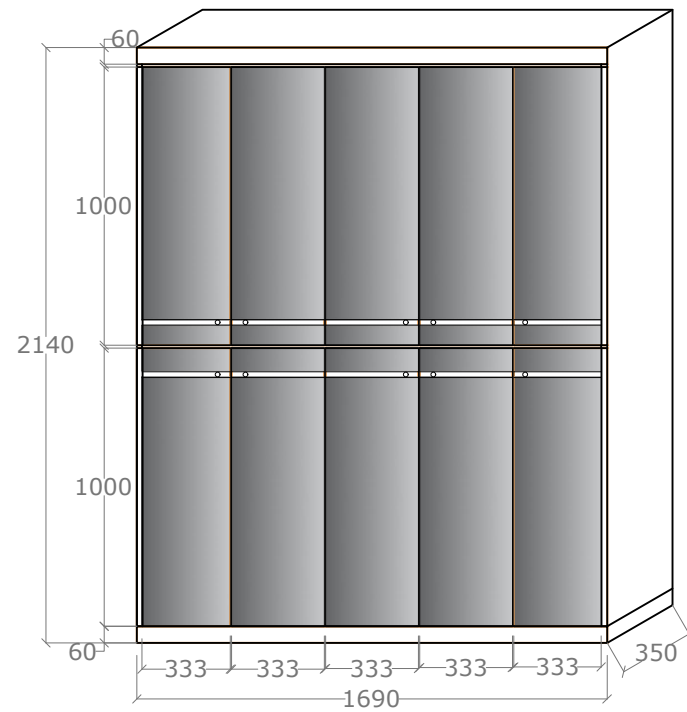
CLIENT:
 SOS CHILDREN VILLAGE
 GEORGIA

ARCHITECT:
 VAHID FARHANI
 575734771 VAHIDFARHANI@GMAIL.COM

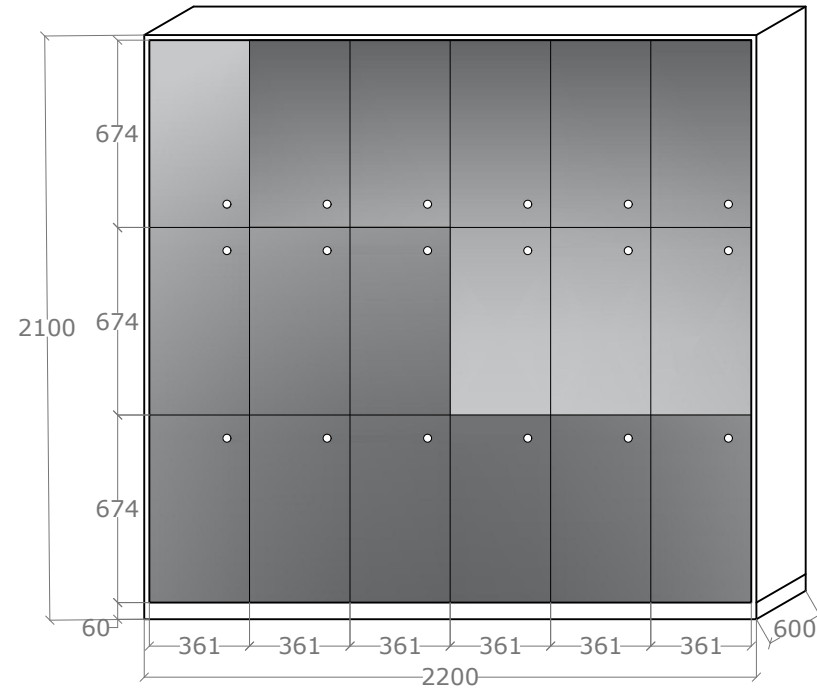
SITE:
 KAZBEGI

TITLE:
 LIBRARIES

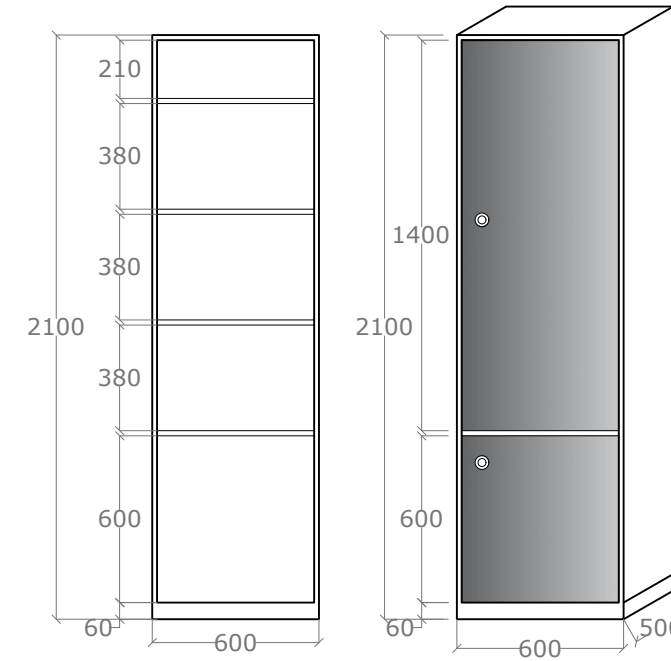
SCALE AT A3: scale	DATE: 12/07/2020	DRAWN: VAHID	CHECKED:
PROJECT NO: 110	DRAWING NO: 021	REVISION: 01	



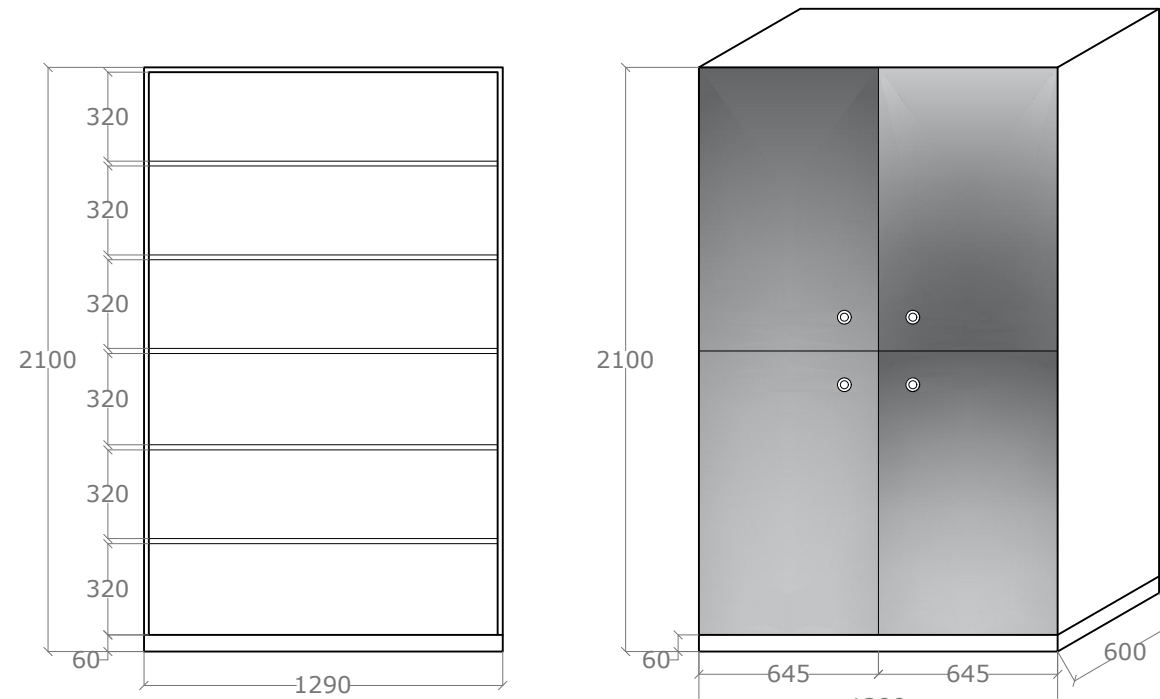
Locker
CL-2 / Det.23
 White Matt MDF



Locker
CL-1 / Det.22
 White Matt MDF



Closet
CL-3 / Det.24
 White Matt MDF



Closet
CL-4 / Det.25
 White Matt MDF

Notes:



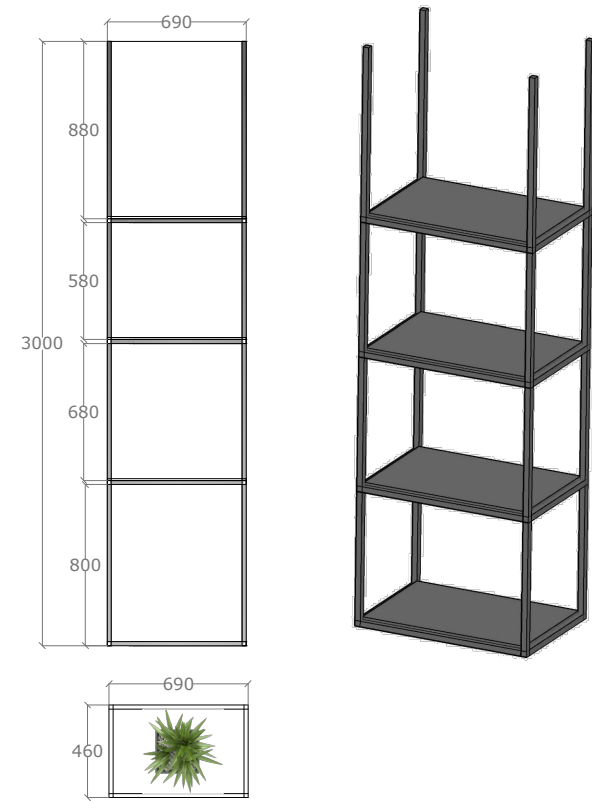
CLIENT:
 SOS CHILDREN VILLAGE
 GEORGIA

ARCHITECT:
 VAHID FARHANI
 57534771 VAHIDFARHANI@GMAIL.COM

SITE:
 KAZBEGI

TITLE:
 CLOSETS

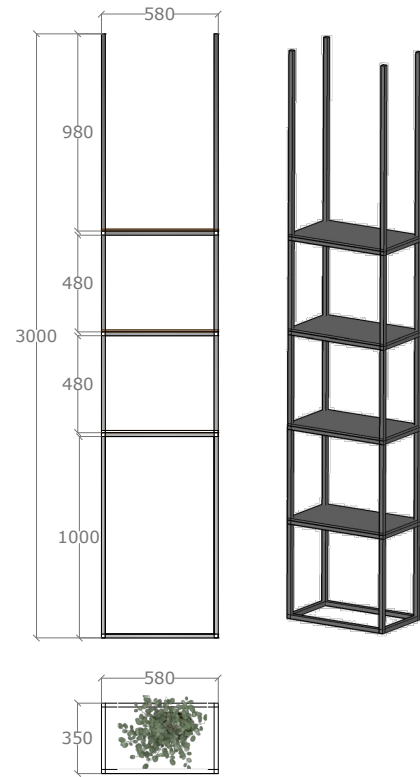
SCALE AT A3: scale	DATE: 12/07/2020	DRAWN: VAHID	CHECKED:
PROJECT NO: 110	DRAWING NO: 022	REVISION: 01	



Flower Stand

FL-1 / Det.24

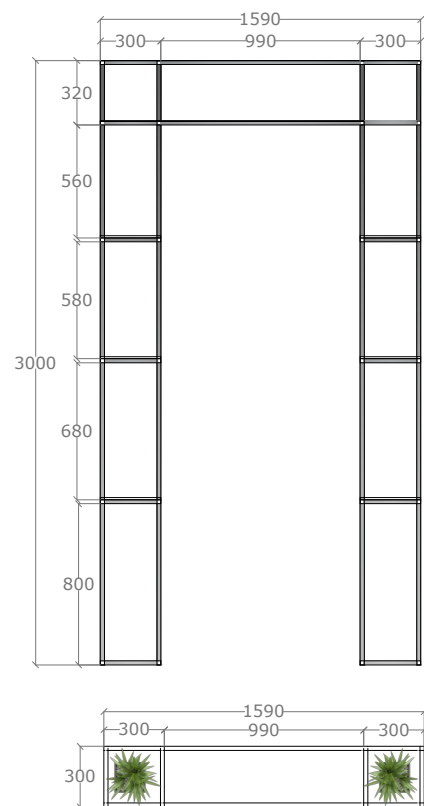
Colored MDF
White color Square Tube 20X20X2



Flower Stand

FL-2 / Det.25

Colored MDF
White color Square Tube 20X20X2



Flower Stand

FL-3 / Det.26



Notes:



**SOS CHILDREN'S
VILLAGES
GEORGIA**

CLIENT:

SOS CHILDREN VILLAGE
GEORGIA

ARCHITECT:

VAHID FARHANI

57534771 VAHIDFARHANI@GMAIL.COM

SITE:

KAZBEGI

TITLE:

FLOWER STAND

SCALE AT A3:

scale

DATE:

12/07/2020

DRAWN:

VAHID

CHECKED:

PROJECT NO:

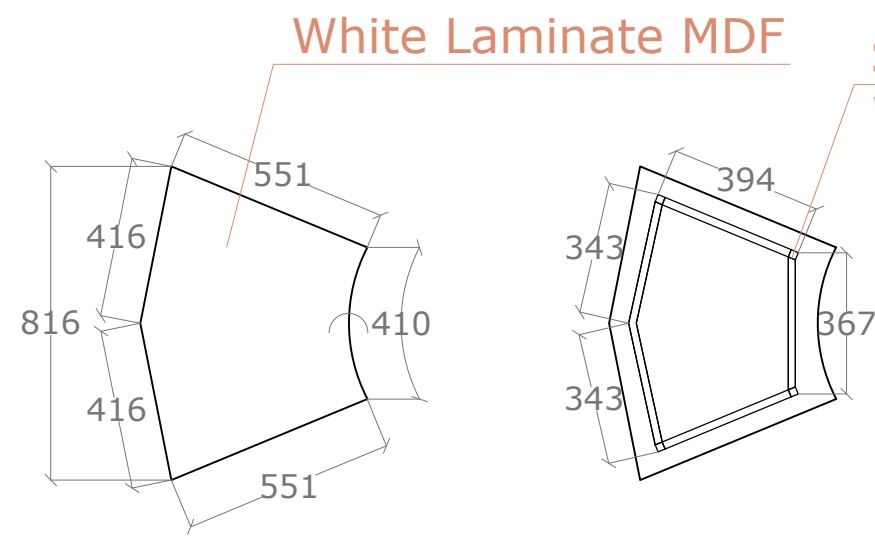
110

DRAWING NO:

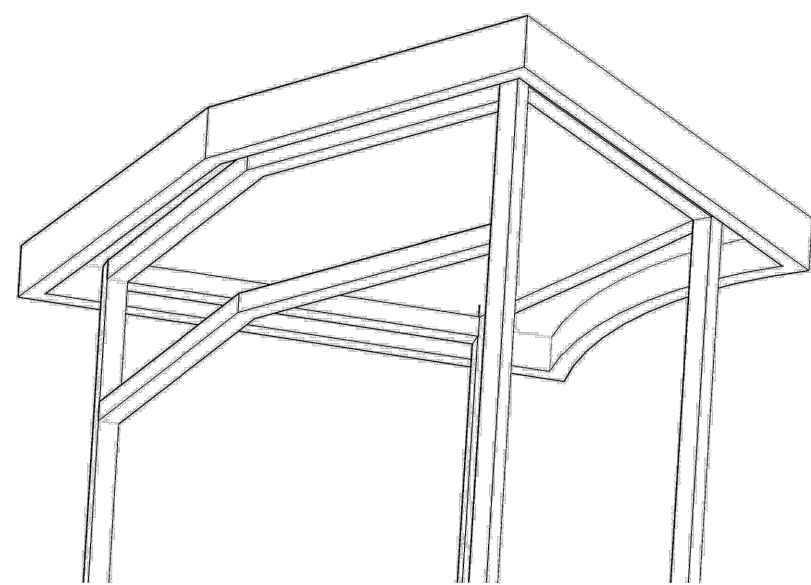
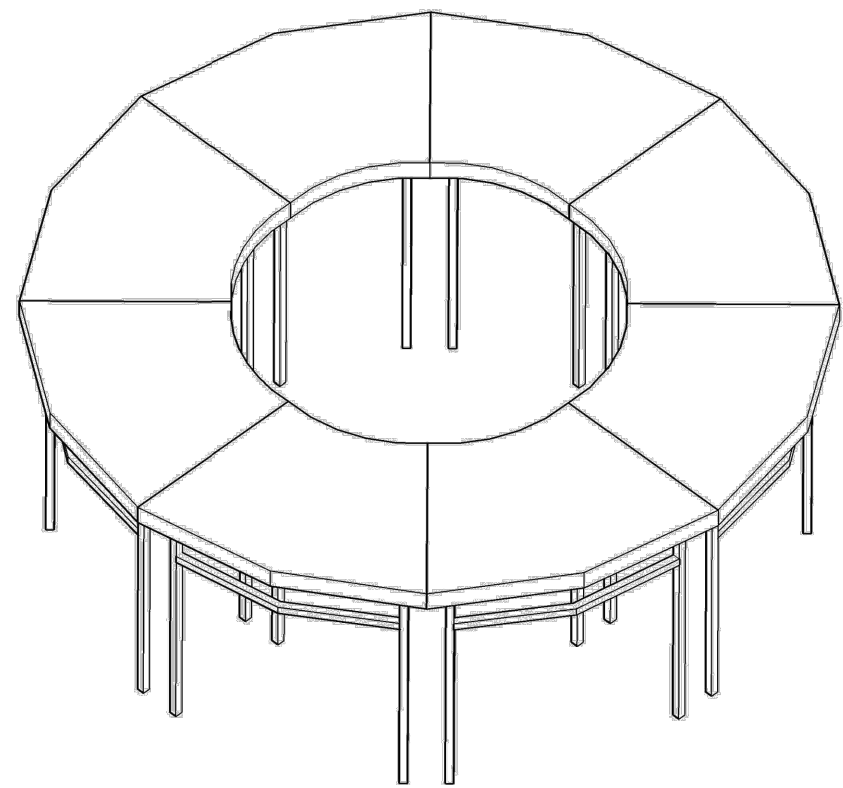
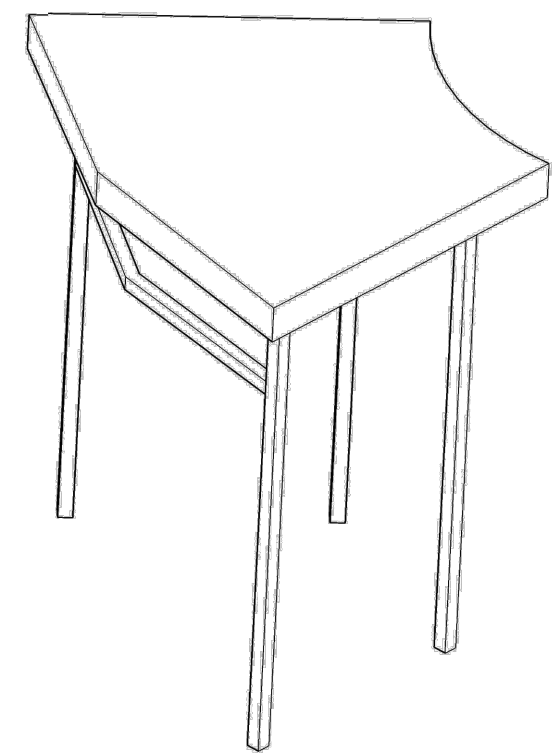
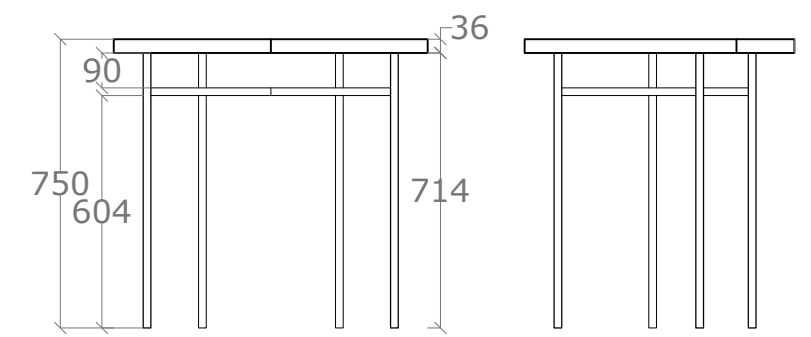
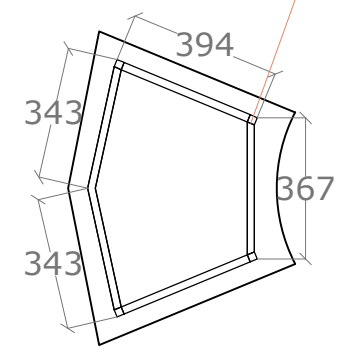
023

REVISION:

01



Steel Square tube
White Color, 20X20X2 mm



Training Room 2 Desk design
TD-1 / Det.15

Notes:

Modular desk for conference and class styles
Surface: White laminate Matt MDF (Doubled in Edge)
Legs: White Colored Steel 20X20X2



CLIENT: SOS CHILDREN VILLAGE GEORGIA

ARCHITECT: VAHID FARHANI
575734771 VAHIDFARHANI@GMAIL.COM

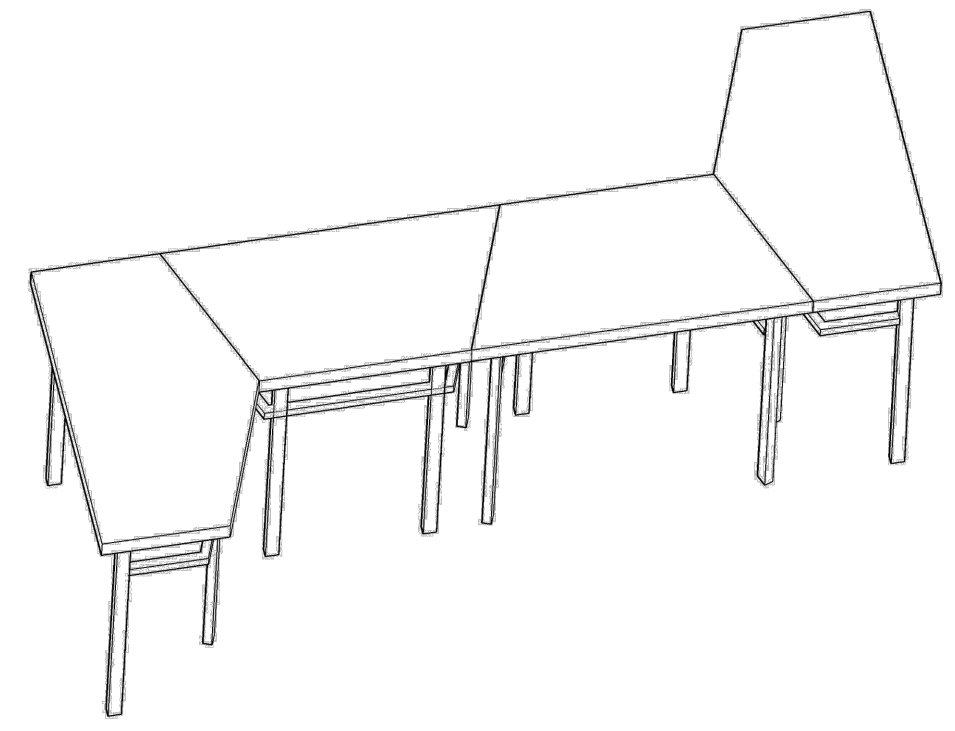
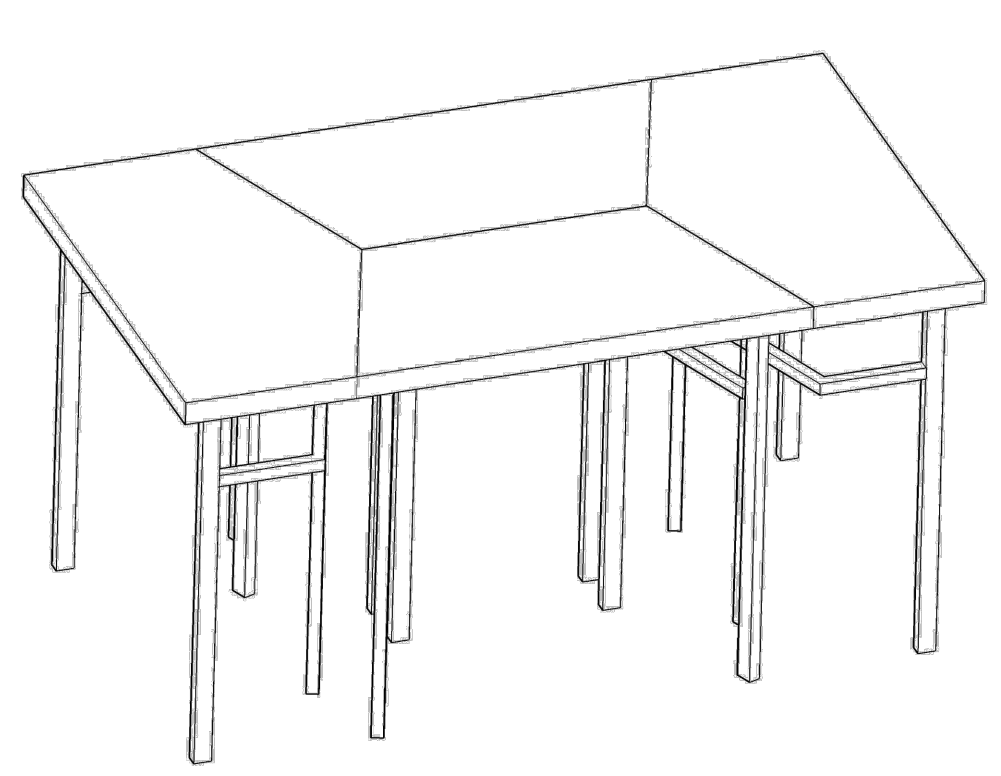
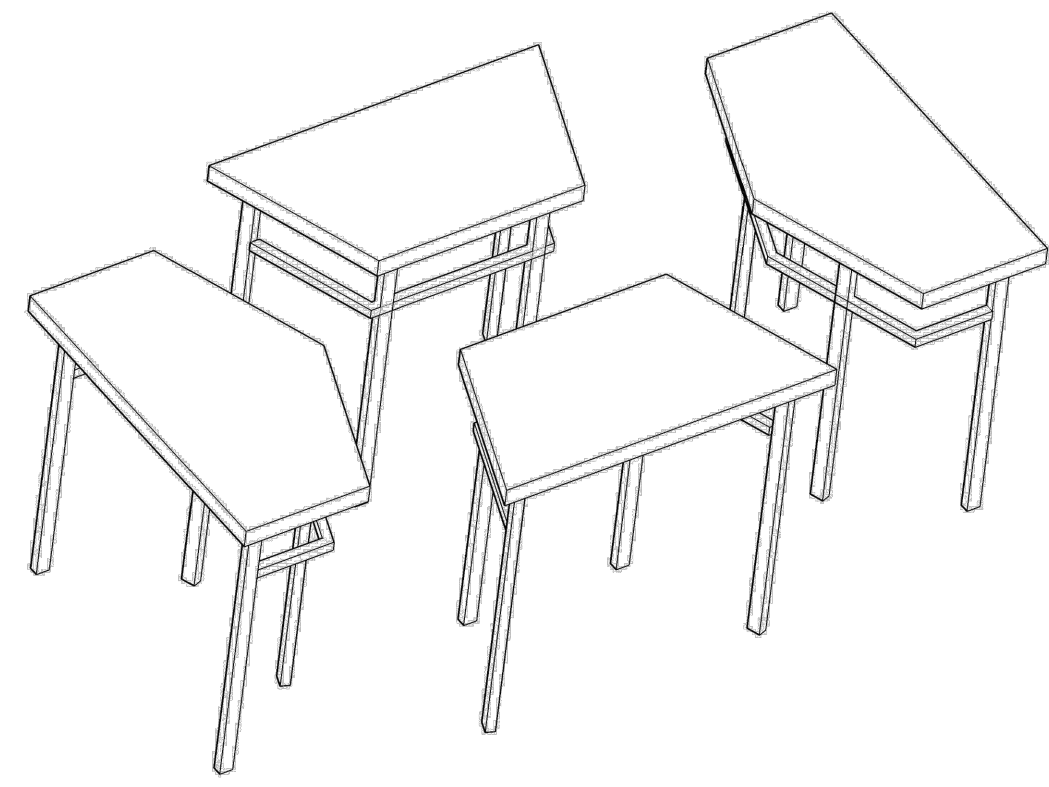
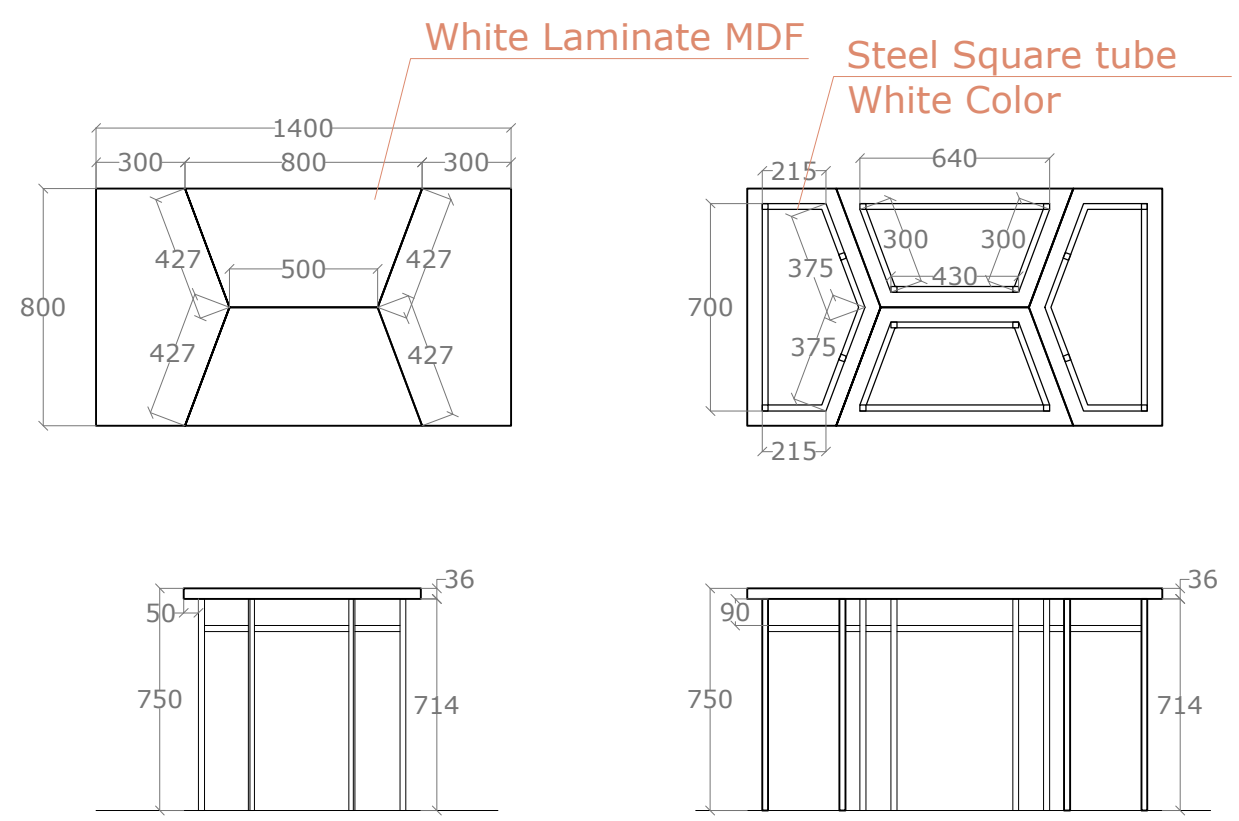
SITE: KAZBEGI

TITLE: TRAINING ROOM2 MODULAR DESK

SCALE AT A3: scale	DATE: 12/07/2020	DRAWN: VAHID	CHECKED:
PROJECT NO: 110	DRAWING NO: 024	REVISION: 01	

Notes:

Modular desk for conference and class styles
Surface: White laminate Matt MDF (Doubled in Edge)
Legs: White Colored Steel 20X20X2



Training Room 1 Desk design
TD-1 / Det.15



CLIENT: SOS CHILDREN VILLAGE GEORGIA

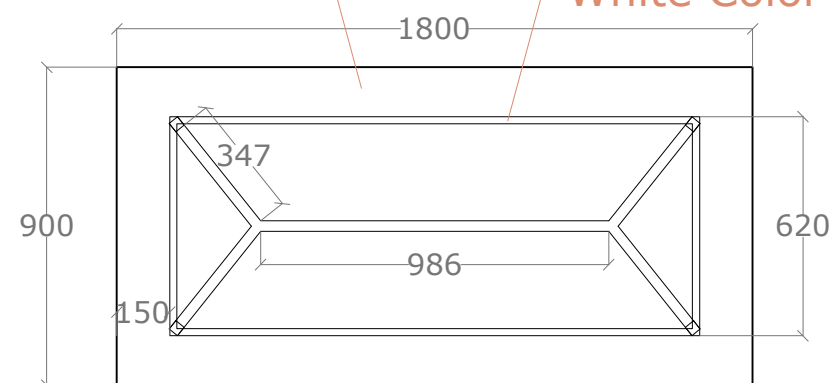
ARCHITECT: VAHID FARHANI
575734771 VAHIDFARHANI@GMAIL.COM

SITE: KAZBEGI

TITLE: TRAINING ROOM1 MODULAR DESK

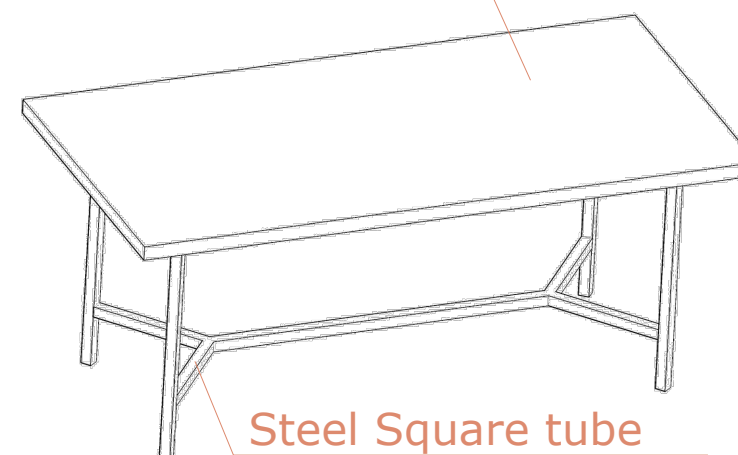
SCALE AT A3: scale	DATE: 12/07/2020	DRAWN: VAHID	CHECKED:
PROJECT NO: 110	DRAWING NO: 025	REVISION: 01	

Manufactured Natural wood



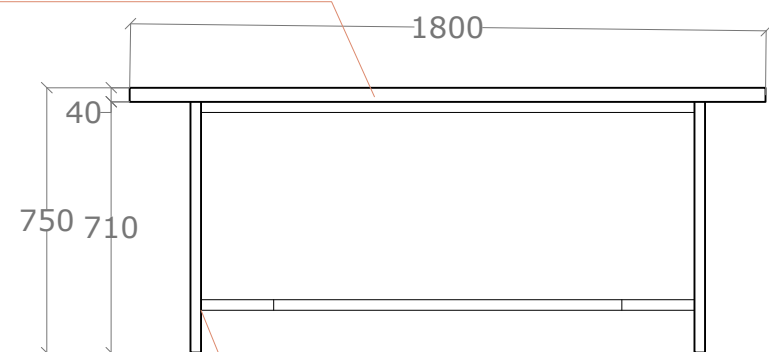
Steel Square tube
White Color 30X30X2.5

Manufactured Natural wood

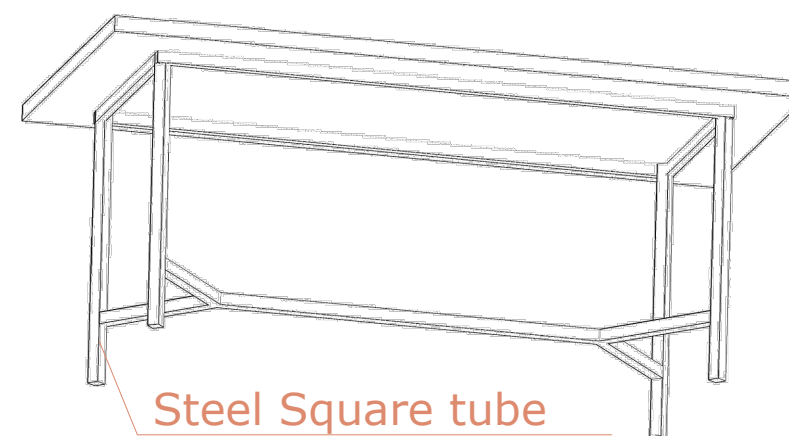


Steel Square tube
White Color 30X30X2.5

Manufactured Natural wood



Steel Square tube
White Color 30X30X2.5



Steel Square tube
White Color 30X30X2.5

Kitchen Desk Design

AD-2 / Det.30



CLIENT:
SOS CHILDREN VILLAGE
GEORGIA

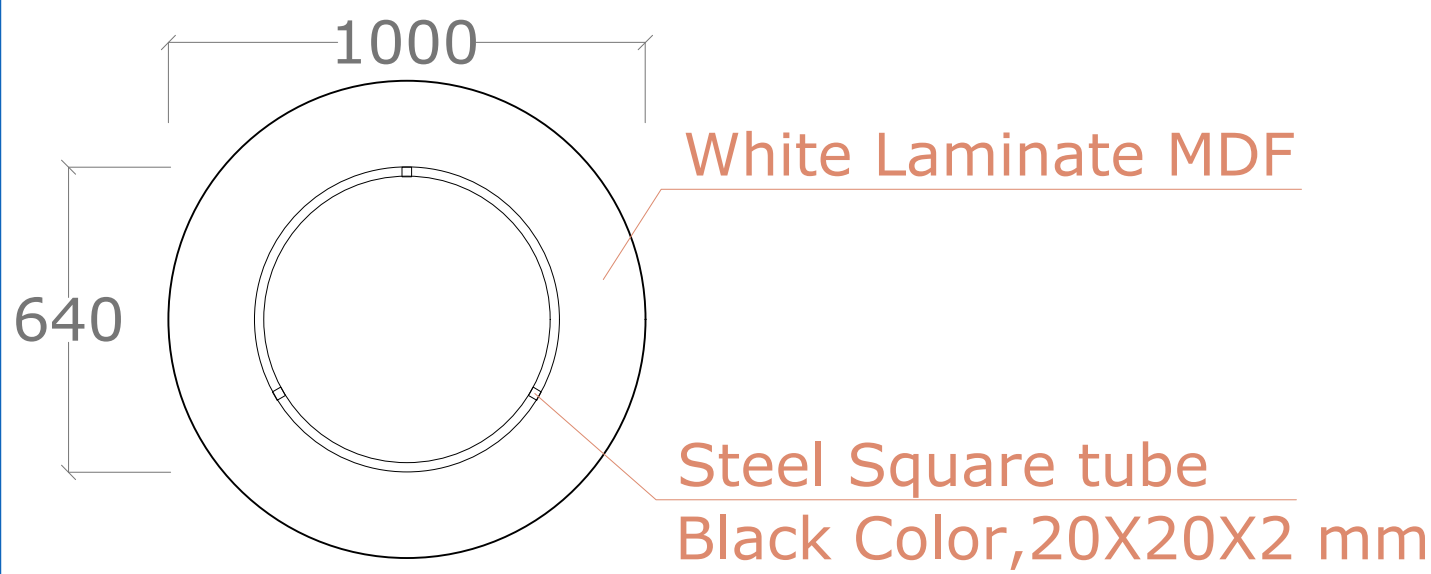
ARCHITECT:
VAHID FARHANI
575734771 VAHIDFARHANI@GMAIL.COM

SITE:
KAZBEGI

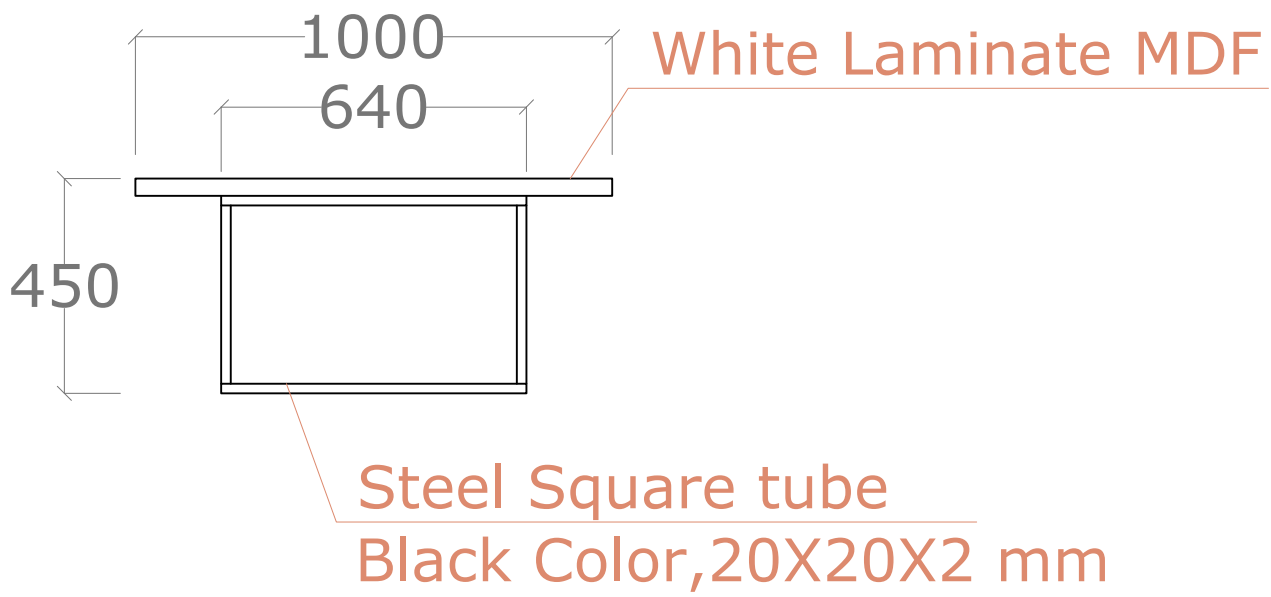
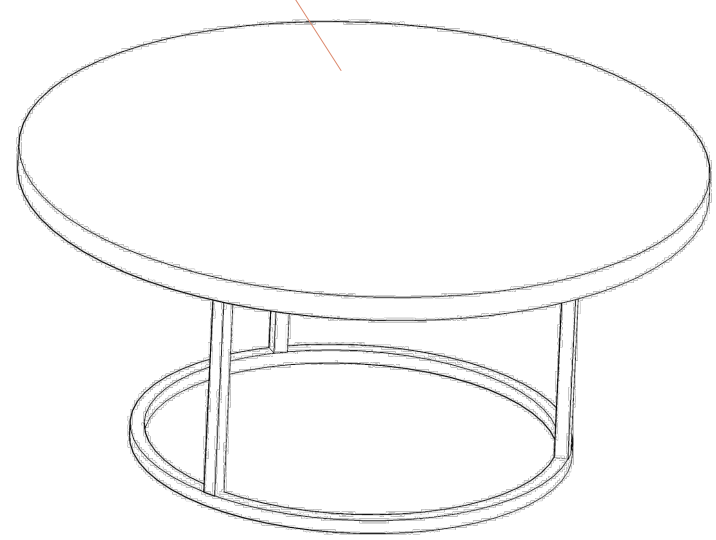
TITLE:
KITCHEN DESK

SCALE AT A3: scale	DATE: 12/07/2020	DRAWN: VAHID	CHECKED:
PROJECT NO: 110	DRAWING NO: 026	REVISION: 01	

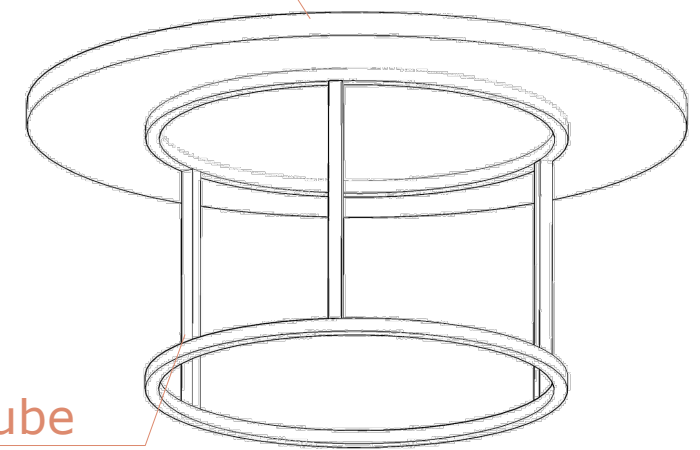
Notes:



White Laminate MDF



White Laminate MDF



Steel Square tube
Black Color, 20X20X2 mm

Youth Source Desk

AD-5 / Det.17



CLIENT:
SOS CHILDREN VILLAGE
GEORGIA

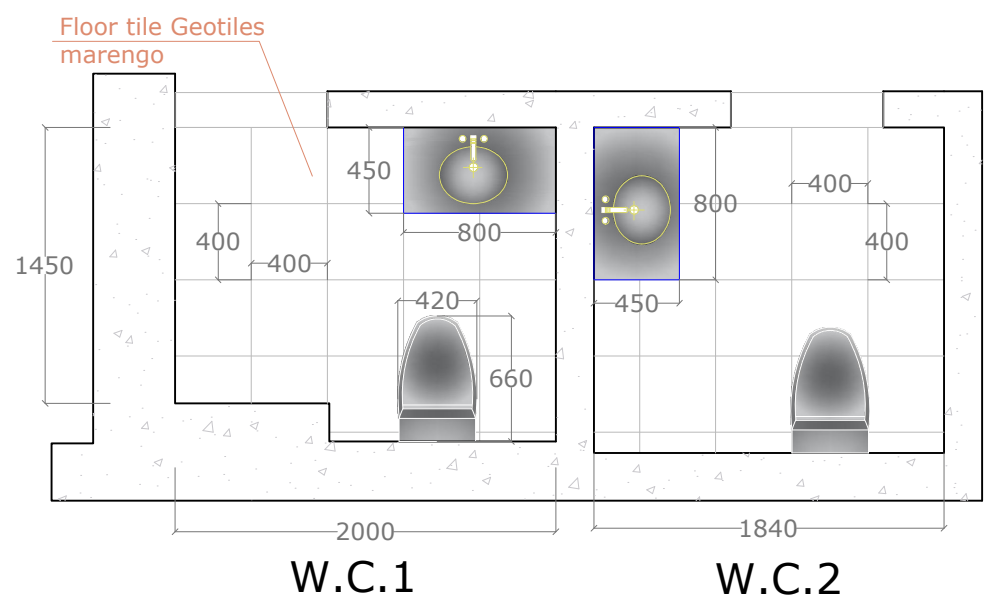
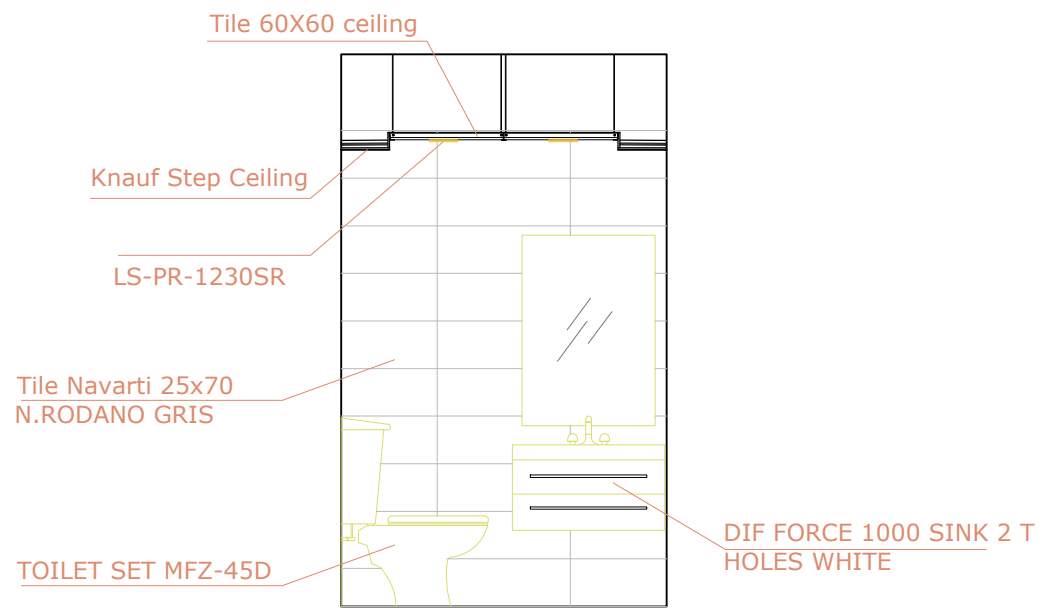
ARCHITECT:
VAHID FARHANI
575734771 VAHIDFARHANI@GMAIL.COM

SITE:
KAZBEGI

TITLE:
YOUTH SOURCE DESK

SCALE AT A3: scale	DATE: 12/07/2020	DRAWN: VAHID	CHECKED:
PROJECT NO: 110	DRAWING NO: 027	REVISION:	01

Notes:



Tile Navarti 25x70
N.RODANO GRIS



Floor tile Geotiles marengo



DIF FORCE 1000 SINK 2 T
HOLES WHITE



TOILET SET MFZ-45D

Bathroom Furnish



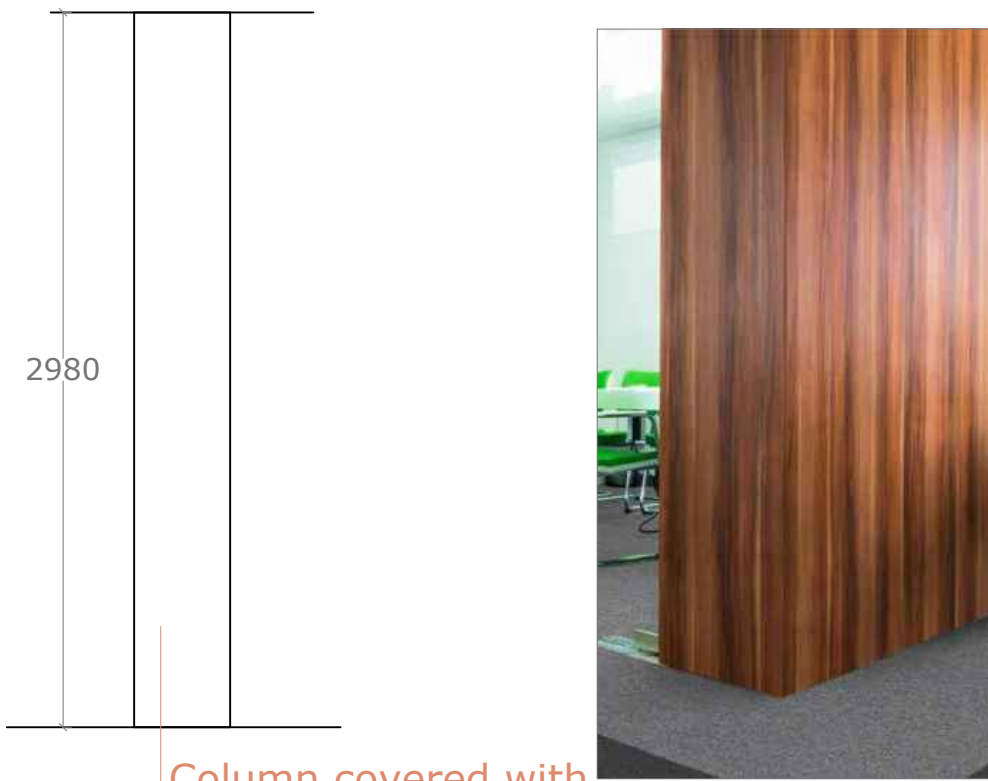
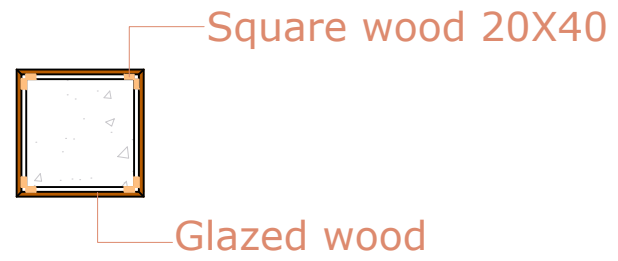
CLIENT:
SOS CHILDREN VILLAGE
GEORGIA

ARCHITECT:
VAHID FARHANI
57534771 VAHIDFARHANI@GMAIL.COM

SITE:
KAZBEGI

TITLE:
BATHROOMS

SCALE AT A3: scale	DATE: 12/07/2020	DRAWN: VAHID	CHECKED:
PROJECT NO: 110	DRAWING NO: 028	REVISION:	01



Column covered with glazed wood

Column with Wood cover

Det.48

Total columns for cover : 6 pcs



Artificial Grass wall

Det.49



CLIENT:
SOS CHILDREN VILLAGE
GEORGIA

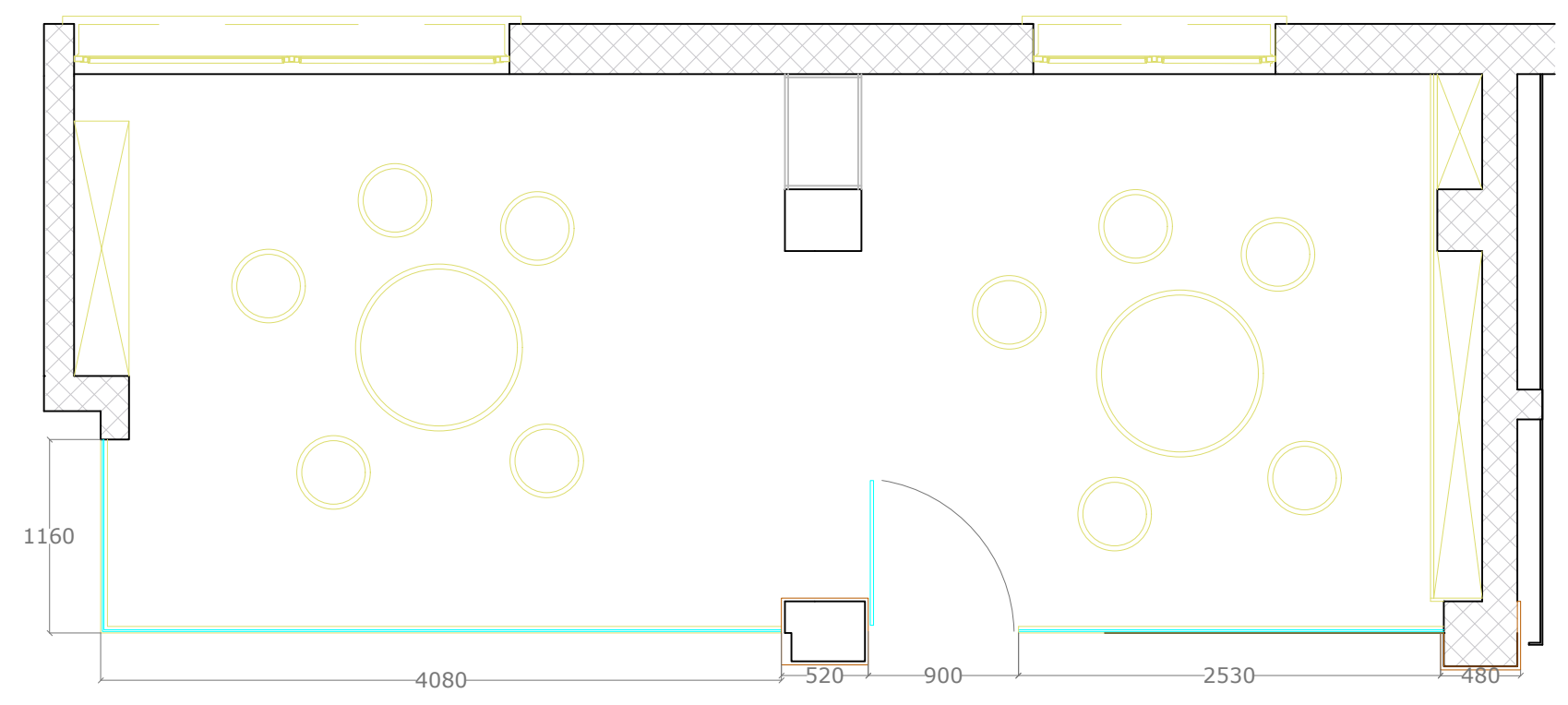
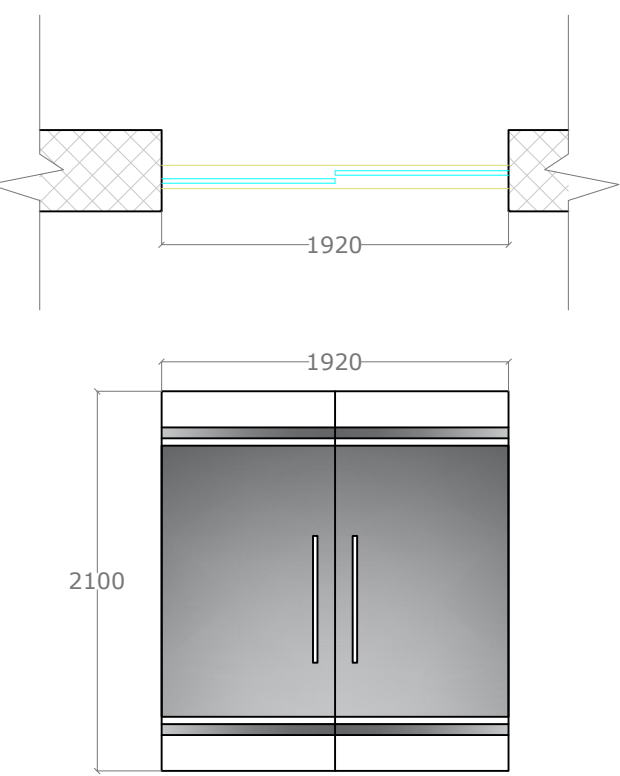
ARCHITECT:
VAHID FARHANI
57534771 VAHIDFARHANI@GMAIL.COM

SITE:
KAZBEGI

TITLE:
WOOD COVER ARTIFICIAL GRASS

SCALE AT A3: scale	DATE: 07/07/2020	DRAWN: VAHID	CHECKED:
PROJECT NO: 110	DRAWING NO: 029	REVISION:	01

Notes:



Glass Door /Training Room 1
DG-1 / Det.36



Glass Partition and Door /Youth Source
DG-2 / Det.37



CLIENT:
SOS CHILDREN VILLAGE
GEORGIA

ARCHITECT:
VAHID FARHANI
575734771 VAHIDFARHANI@GMAIL.COM

SITE:
KAZBEGI

TITLE:
GLASS PARTITION, DOOR

SCALE AT A3: scale	DATE: 07/07/2020	DRAWN: VAHID	CHECKED:
PROJECT NO: 110	DRAWING NO: 030	REVISION: 01	

Notes:

carpet covering
MARATHON 882 Ocean

Laminate
CLASSEN Natural Prestige
Oak Oxford 1286x160x10
AC5/33 4-V

Kitchen and Bathroom Floor
tile Geotiles marengo



Floor finishing Plan



**SOS CHILDREN'S
VILLAGES
GEORGIA**

CLIENT:

SOS CHILDREN VILLAGE
GEORGIA

ARCHITECT:

VAHID FARHANI

575734771 VAHIDFARHANI@GMAIL.COM

SITE:

KAZBEGI

TITLE:

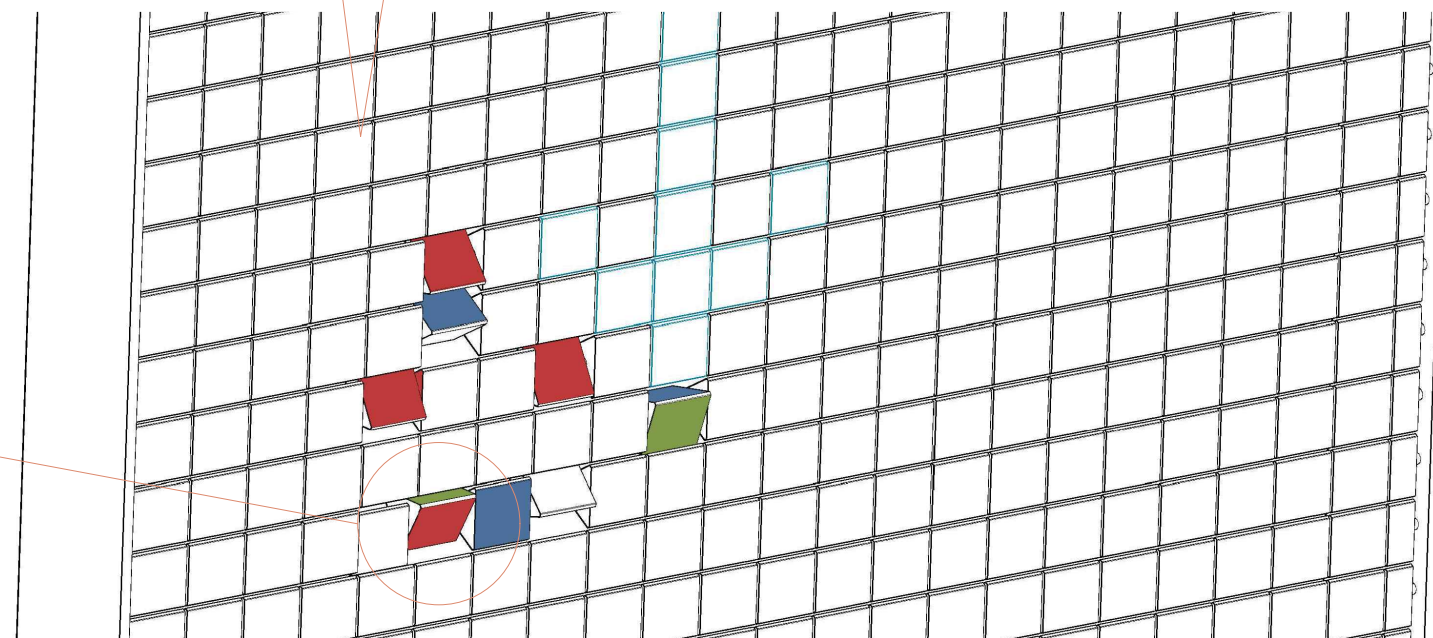
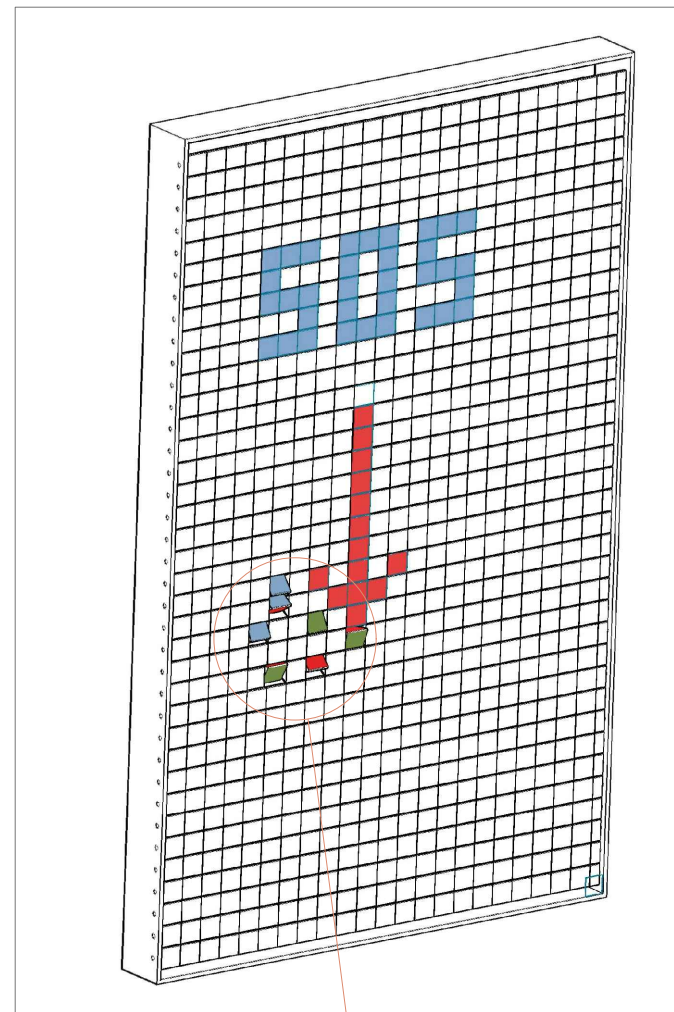
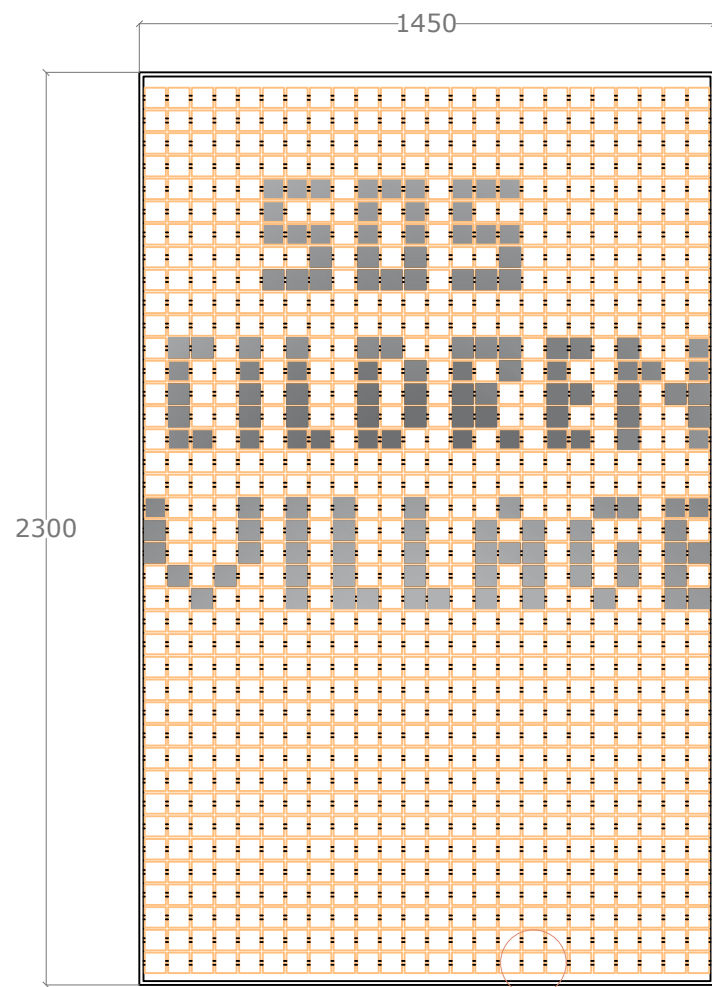
FLOOR PLAN

SCALE AT A3: DATE: DRAWN: CHECKED:

scale 12/07/2020 VAHID

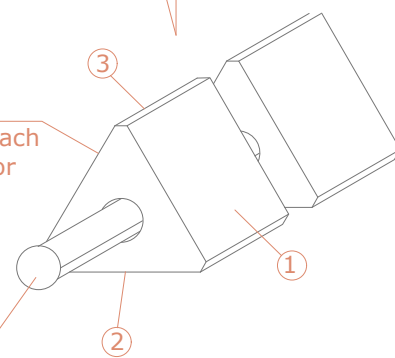
PROJECT NO: DRAWING NO: REVISION:

110 031 01



Wooden shape
It has 3 Faces and each
face has its own color

Steel Pipe



Game Wall

DW/ Det.41

Notes:



**SOS CHILDREN'S
VILLAGES
GEORGIA**

CLIENT:

SOS CHILDREN VILLAGE
GEORGIA

ARCHITECT:

VAHID FARHANI

575734771 VAHIDFARHAN@GMAIL.COM

SITE:

KAZBEGI

TITLE:

GAME WALL

SCALE AT A3:

scale

DATE:

12/07/2020

DRAWN:

VAHID

CHECKED:

PROJECT NO:

110

DRAWING NO:

032

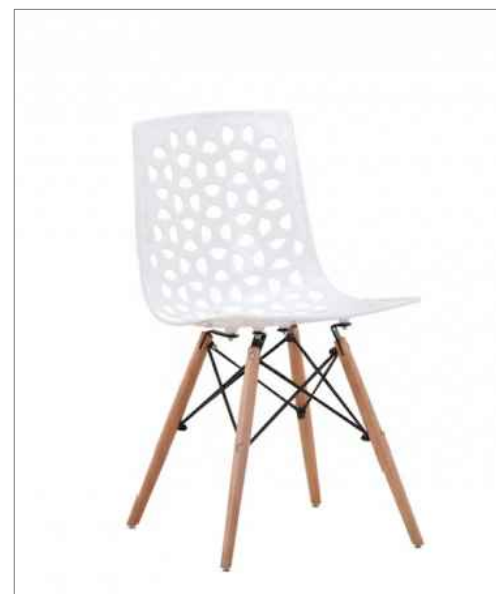
REVISION:

01

Notes:



Yellow Deck chairs
FU-1/Det.33



Yellow Deck chairs
FU-4/Det.36



Administration chairs
FU-5/Det.37



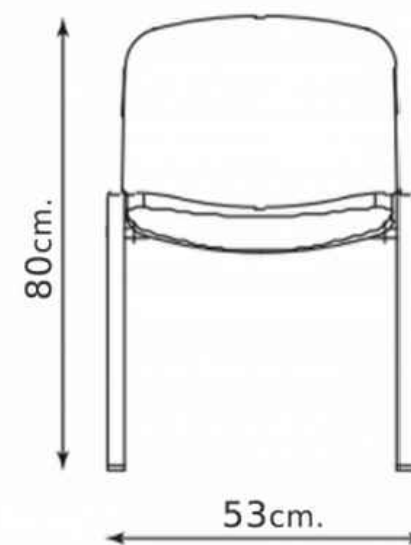
Colored puff for source room
P-1/Det.17



Kitchen chairs
FU-6/Det.38



Training Rooms chairs
TD-2/Det.16



**SOS CHILDREN'S
VILLAGES
GEORGIA**

CLIENT:

SOS CHILDREN VILLAGE
GEORGIA

ARCHITECT:

VAHID FARHANI
575734771 VAHIDFARHANI@GMAIL.COM

SITE:

KAZBEGI

TITLE:

CHAIRS

SCALE AT A3:
scale

DATE:
07/07/2020

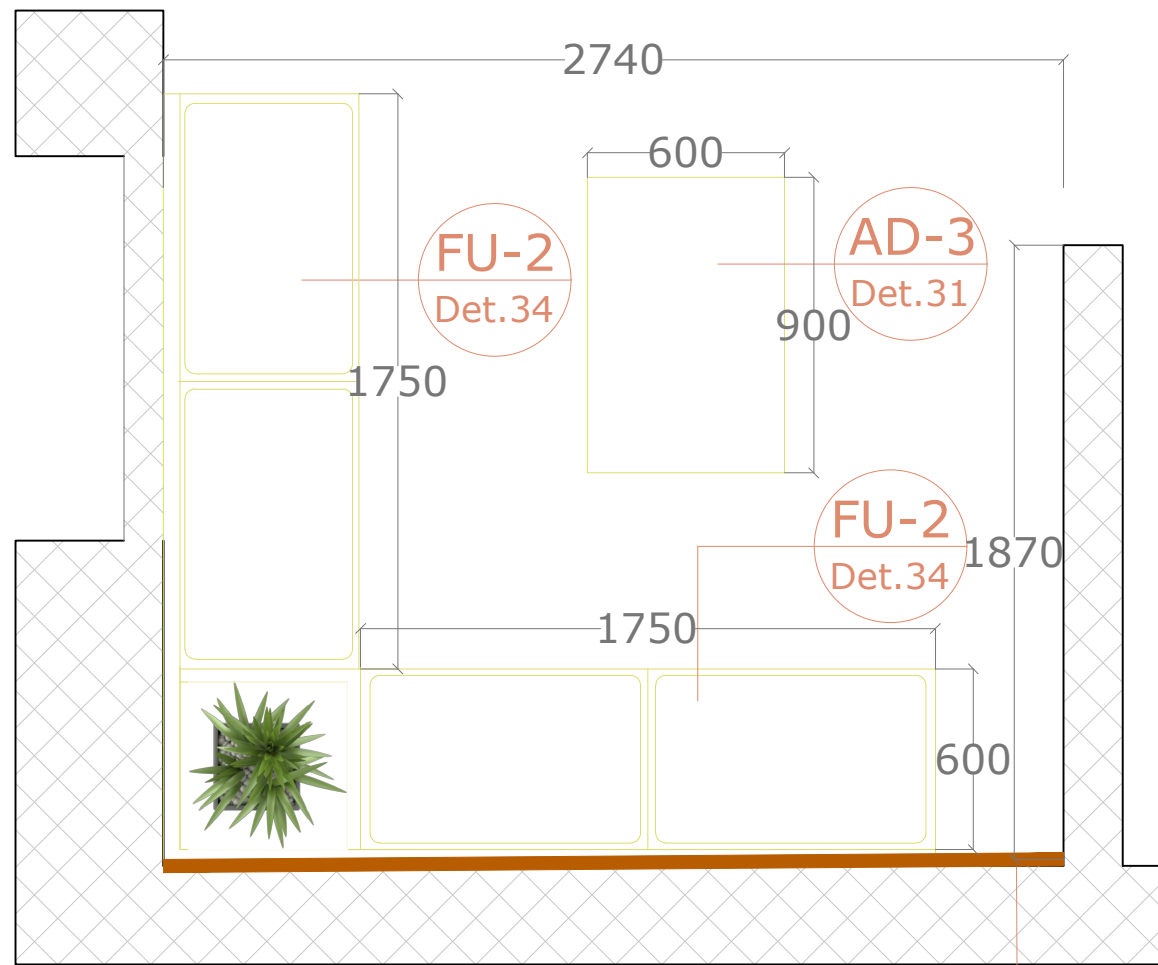
DRAWN:
VAHID

CHECKED:

PROJECT NO:
110

DRAWING NO:
033

REVISION:
01



Decorative wood wall

waiting corner



FU-2 / Det.34



Decorative wood wall



AD-3 / Det.31

Notes:



**SOS CHILDREN'S
VILLAGES
GEORGIA**

CLIENT:

SOS CHILDREN VILLAGE
GEORGIA

ARCHITECT:

VAHID FARHANI

575734771 VAHIDFARHANI@GMAIL.COM

SITE:

KAZBEGI

TITLE:

WAITING CORNER

SCALE AT A3:

scale

DATE:

07/07/2020

DRAWN:

VAHID

CHECKED:

PROJECT NO:

110

DRAWING NO:

034

REVISION:

01

Notes:



Administrative desk
AD-1 / Det.29



Consultant desk
AD-4 / Det.32



Yellow deck desk
HD-1 / Det.18



Consultant desk
AD-5 / Det.33



**SOS CHILDREN'S
VILLAGES
GEORGIA**

CLIENT:

**SOS CHILDREN VILLAGE
GEORGIA**

ARCHITECT:

VAHID FARHANI

575734771 VAHIDFARHANI@GMAIL.COM

SITE:

KAZBEGI

TITLE:

DESKS

SCALE AT A3: DATE: DRAWN: CHECKED:

scale

07/07/2020

VAHID

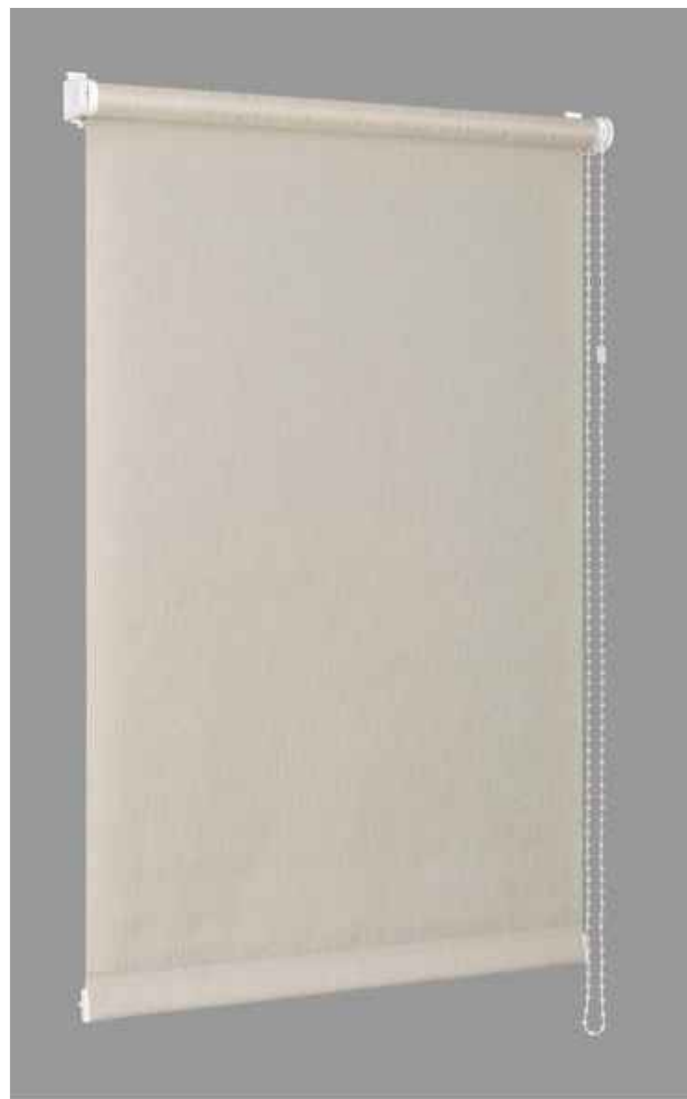
PROJECT NO: DRAWING NO: REVISION:

110

035

01

Notes:



Curtains



Room Doors
D-1 / Det.38



Bath Doors
D-2 / Det.39



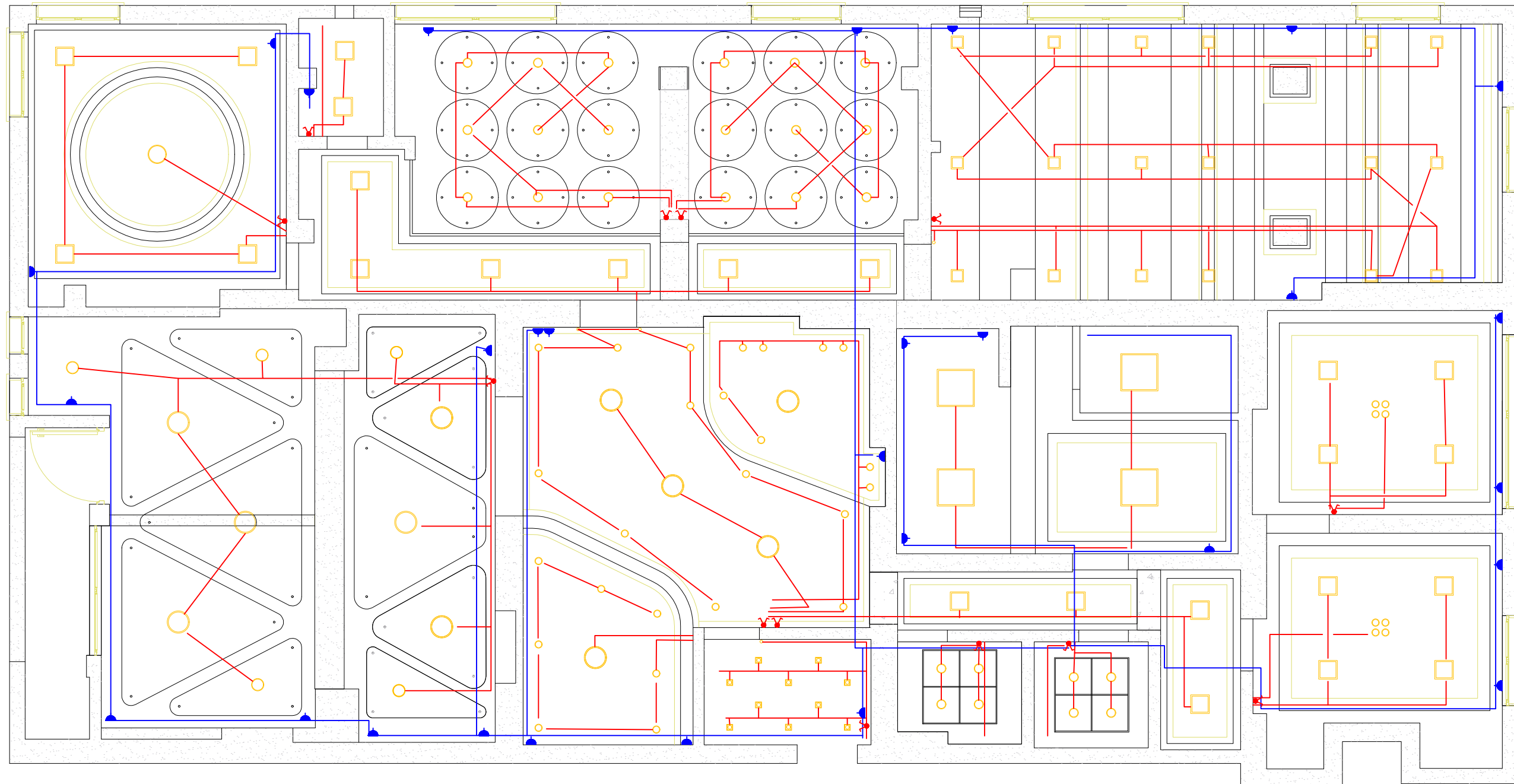
CLIENT:
SOS CHILDREN VILLAGE
GEORGIA

ARCHITECT:
VAHID FARHANI
575734771 VAHIDFARHAN@GMAIL.COM



SITE:
KAZBEGI

TITLE:
DOORS

SCALE AT A3: scale	DATE: 12/07/2020	DRAWN: VAHID	CHECKED:
PROJECT NO: 110	DRAWING NO: 036	REVISION:	01



Notes:

-  Double Switch
-  Power socket

Electrical Plan



CLIENT:
SOS CHILDREN VILLAGE
GEORGIA

ARCHITECT:
VAHID FARHANI
575734271 VAHIDFARHANI@GMAIL.COM

SITE:
KAZBEGI

TITLE:
ELECTRIC DRAWING

SCALE AT A3: scale	DATE: 12/07/2020	DRAWN: VAHID	CHECKED:
PROJECT NO: 110	DRAWING NO: 037	REVISION:	01

Notes:



Entrance Light

ALREN R DTL-B 26757 Gx5.3/GU10



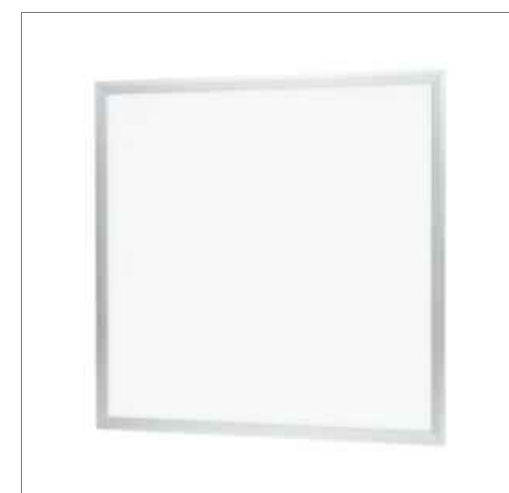
Spot lights for ceiling

LTL-5034-02CL



Corridor, Administrative Light

XG021 1653/28/056



Kitchen Light

LED KLAUS KE35501



Hidden light for decorative walls

TDM LED ДПО 2001 SQ0329-0070 10W



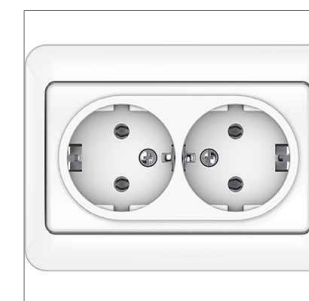
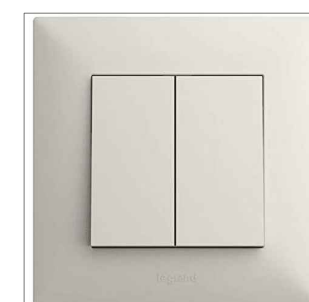
Youth source room light

LS-PR-1230SR



Training room 1 light

KLAUS KE35405



CLIENT:
SOS CHILDREN VILLAGE
GEORGIA

ARCHITECT:
VAHID FARHANI
57534771 VAHIDFARHAN@GMAIL.COM

SITE:
KAZBEGI

TITLE:
ELECTRIC MATERIALS

SCALE AT A3: scale	DATE: 12/07/2020	DRAWN: VAHID	CHECKED:
PROJECT NO: 110	DRAWING NO: 038	REVISION:	01